



# Parts Manual

## Phoenix 24

## Table Of Contents

Introduction.....	3
Chassis Part I.....	4
Lift Pedal Assembly .....	6
Chassis Part II.....	8
Traction Drive.....	10
Chassis Part III.....	12
Water Supply Part I.....	14
Recovery Tank Assembly .....	30
Vacuum Motor Assembly.....	32
Squeegee Lift / Lower Lever Assembly.....	34
Squeegee Assembly Complete Part I .....	36
Squeegee Assembly Complete Part II .....	38
Console Assembly .....	40
Operation Handle Assembly.....	42
Upper Housing Assembly.....	44
Lower Housing Assembly.....	46
Control Box Electrical Part I.....	48
Retainer Assembly .....	50
Control Box Electrical Part II.....	52
Battery Charger .....	54
Decals .....	56
Scrub Deck Assembly Cylindrical .....	58
Scrub Deck Assembly Cylindrical Part I .....	60
Scrub Deck Assembly Cylindrical .....	62
Scrub Deck Assembly Cylindrical Part II .....	64
Brush Drive Assembly Cylindrical.....	66
Scrub Deck Assembly Cylindrical Part III .....	68
Warranty Information .....	70
EC-Declaration Of Conformity (According To Directive 89/392/EEC).....	72
Notes.....	73

## Introduction

This manual is for the PowerBoss Phoenix 24 scrubber. It provides the parts lists for your new machine.

This manual covers all standard Phoenix 24 machine variations.

The machine will provide excellent service. However, the best results will be obtained if:

- The machine is operated with reasonable care.
- The machine is maintained regularly per the maintenance schedule in the instruction manual provided.
- The machine is maintained with PowerBoss OEM supplied or equivalent parts.

All right side and left side references to the machine are determined by facing the direction of forward travel. Parts may be ordered by phone or mail from any PowerBoss parts and service center. Before ordering parts or supplies be sure to have your machine model number and serial number handy.

Fill out the data block below for future reference.

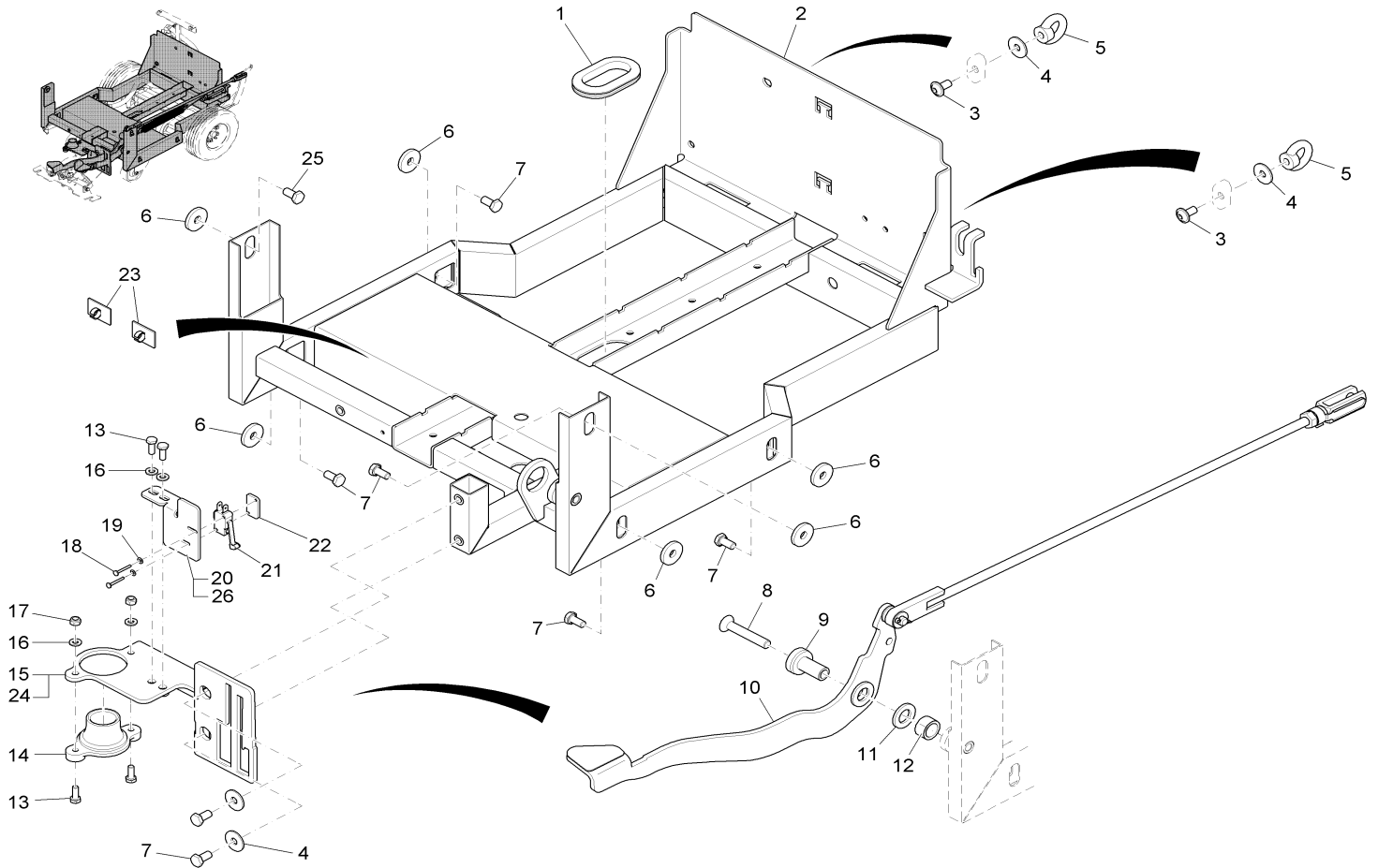
MACHINE DATA Fill Out At Installation	
Model:	Phoenix 24
Serial Number:	_____
Sales Rep or Dealer:	_____
Date of Install:	_____
Manual p/n:	988024PB

All information contained in this manual is current at the time of printing However, PowerBoss Reserves the right to make changes at any time without notice.

©2010, PowerBoss, Inc., Printed in USA

All rights reserved. This manual may not be copied or reproduced in any form without the written permission of PowerBoss, Inc.

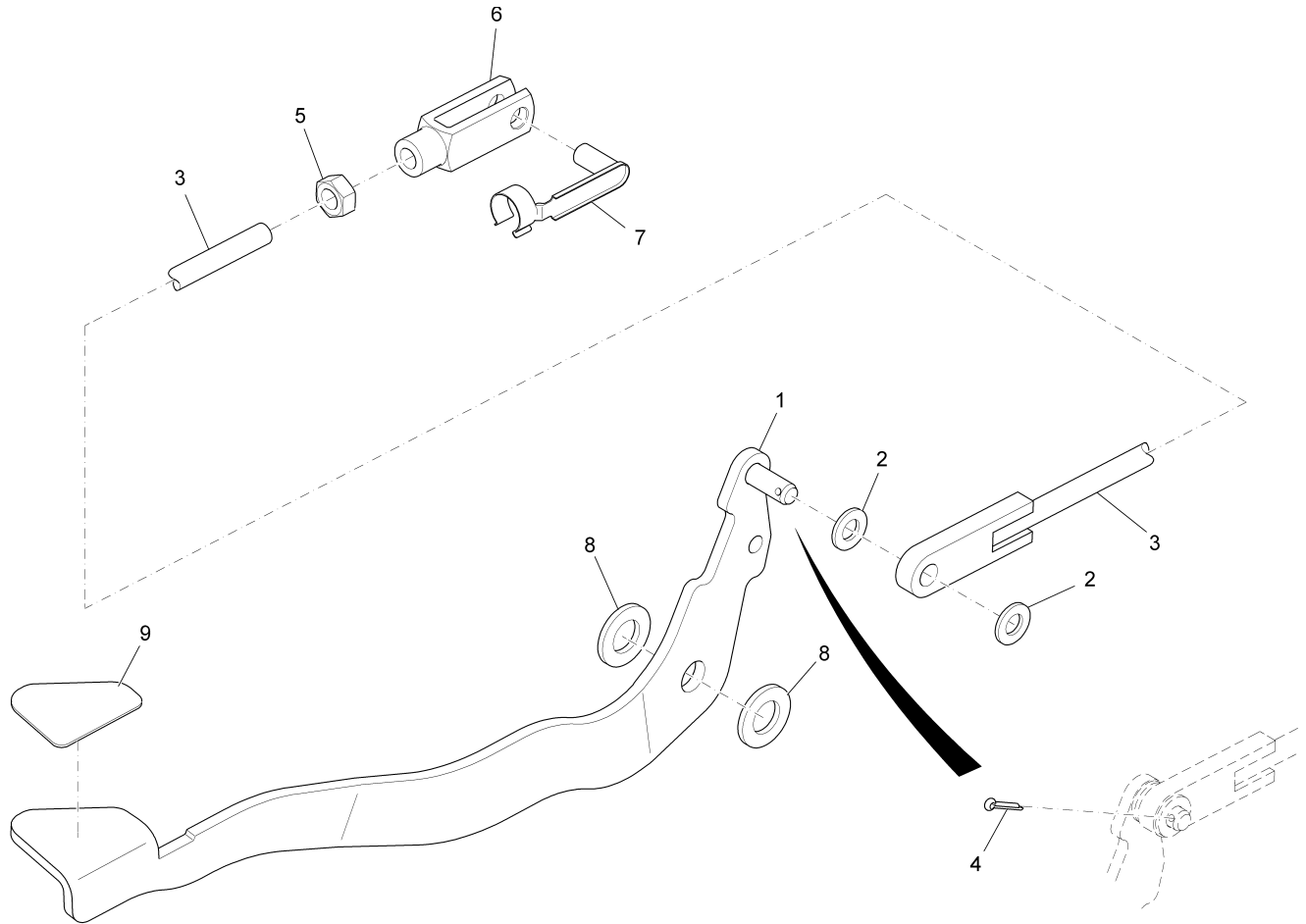
# Chassis Part I



## Chassis Assembly Part I (Ref. 97098867)

Item	Part Number	Description	Qty.	Notes
1	90513367	Grommet	1	
2	96116405	Chassis	1	
3	11177187	Lens flange screw	2	
4	12332029	Washer	6	
5	12160024	Nut	2	
6	90209537	Washer	6	
7	11038197	Hexagon screw	6	
8	11225620	Countersunk screw	1	
9	90509522	Bushing	1	
10	For Reference	Lift pedal	1	Ref. 97093181
11	12310082	Washer	1	
12	90509027	Pipe	1	
13	11038072	Hex.bolt	4	
14	90508391	Bushing	1	
15	96114327	Sheet metal	1	used until 06/2007
16	12310033	Washer	8	
17	12040044	Hexagon nut	4	
18	11039088	Hex.bolt	2	
19	12310132	Washer	2	
20	90513359	Retainer	1	used until 06/2007
21	90306002	Micro switch	1	
22	90471483	Thread base plate	1	
23	17526070	Cable clip	2	
24	96117387	Sheet Metal	1	used after 07/2007
25	11038635	Hex Bolt M8x18-8.8 A2G	1	
26	90540931	Retainer	1	used after 07/2007

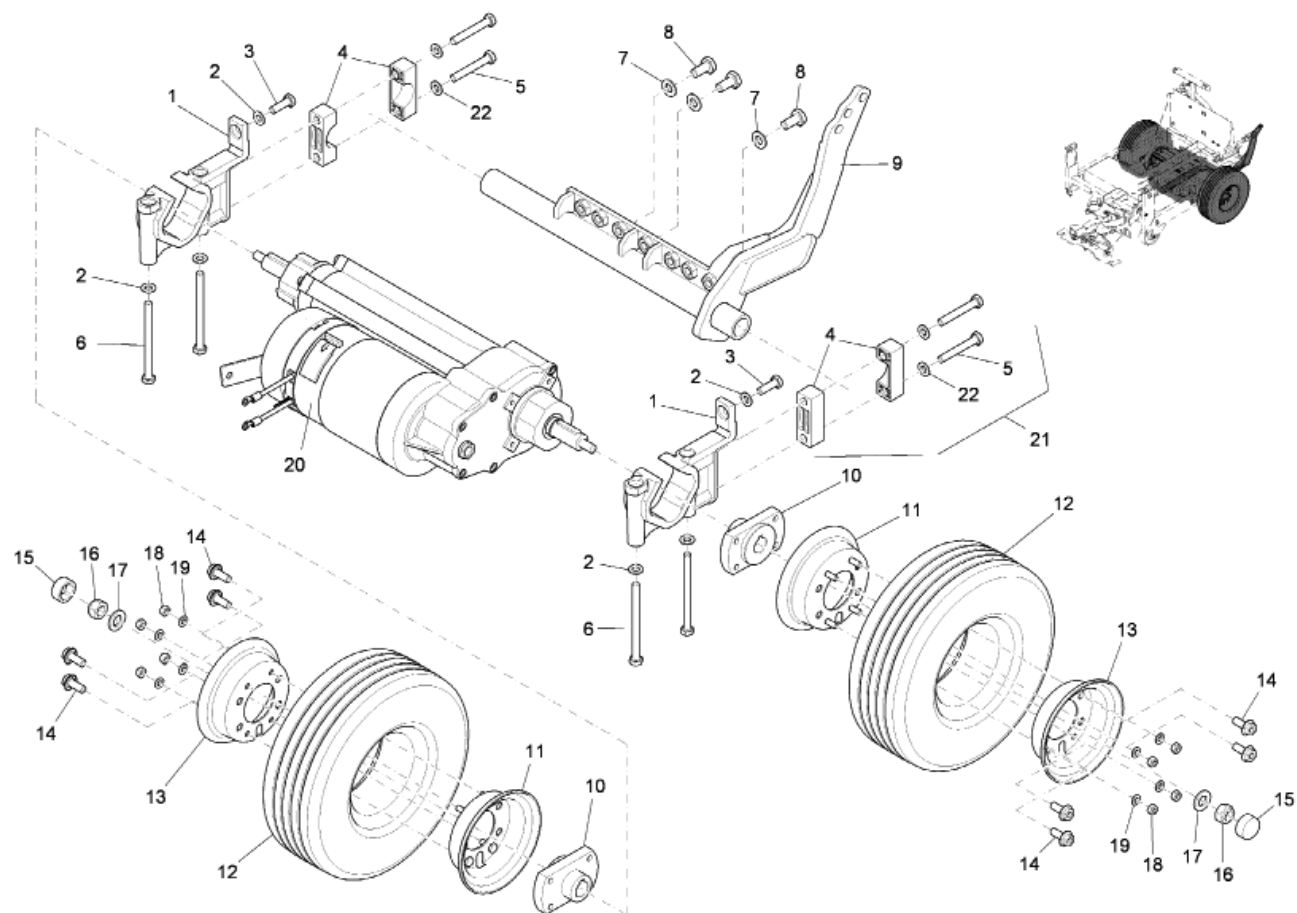
# Lift Pedal Assembly



Lift Pedal Assembly (Ref. 97093181)

Item	Part Number	Description	Qty.	Notes
1	96117361	Lifting Pedal	1	
2	12310058	Washer	2	
3	96111877	Rod	1	
4	13280110	Cotter Pin	1	
5	12022067	Hexagon Nut	1	
6	16055063	Fork Yoke	1	
7	13390042	Bolt	1	
8	90510017	Washer	2	
9	90518580	Decal	1	

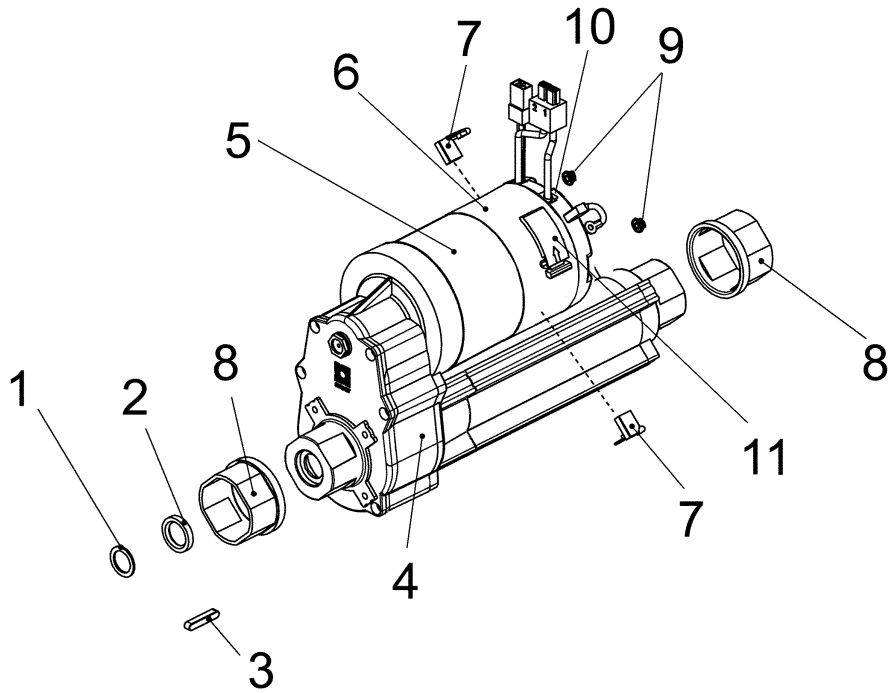
## Chassis Part II





## Chassis Assembly Part II (Ref. 97098867-2)

Item	Part Number	Description	Qty.	Notes
1	90512062	Bearing AMER	2	
2	12310041	Washer	10	
3	11038247	Hexagon Screw	1	
4	90547811	Block	4	See Item 21
5	11038296	Hex.Bolt	4	See Item 21
6	11032273	Hex.Bolt	4	
7	12310058	Washer	2	
8	11038346	Hex.Bolt	2	
9	96116009	Lever	1	
10	90510116	Hub	2	
11	96057013	Rim	2	
12	90398165	Tire	2	
13	90251869	Rim	2	
14	11717022	Hex.Bolt	8	
15	15592058	Protection Cap	2	
16	12040077	Hexagon Nut	2	
17	12310066	Washer	2	
18	12040044	Hexagon Nut	8	
19	12310033	Washer	8	
20	90531609	Traction Drive	1	
21	97057814	Block	1	Kit to replace all 4 blocks
22	12332029	Washer	4	See Item 21



**Traction Drive (Ref. 90531609)**

<b>Item</b>	<b>Part Number</b>	<b>Description</b>	<b>Qty.</b>	<b>Notes</b>
1	01077430	Washer	2	
2	01077420	Gasket	3	
3	01077410	Woodruff Key	2	
4	01077390	Gear Box With Shaft	1	
5	01170790	Motor	1	
6	01077360	Covering	1	
7	01077350	Carbon Brush	4	
8	01077400	Bushing	2	
9	01077380	Nut	4	
10	01173050	Micro Switch	1	
11	01173630	Mounting Clip	1	

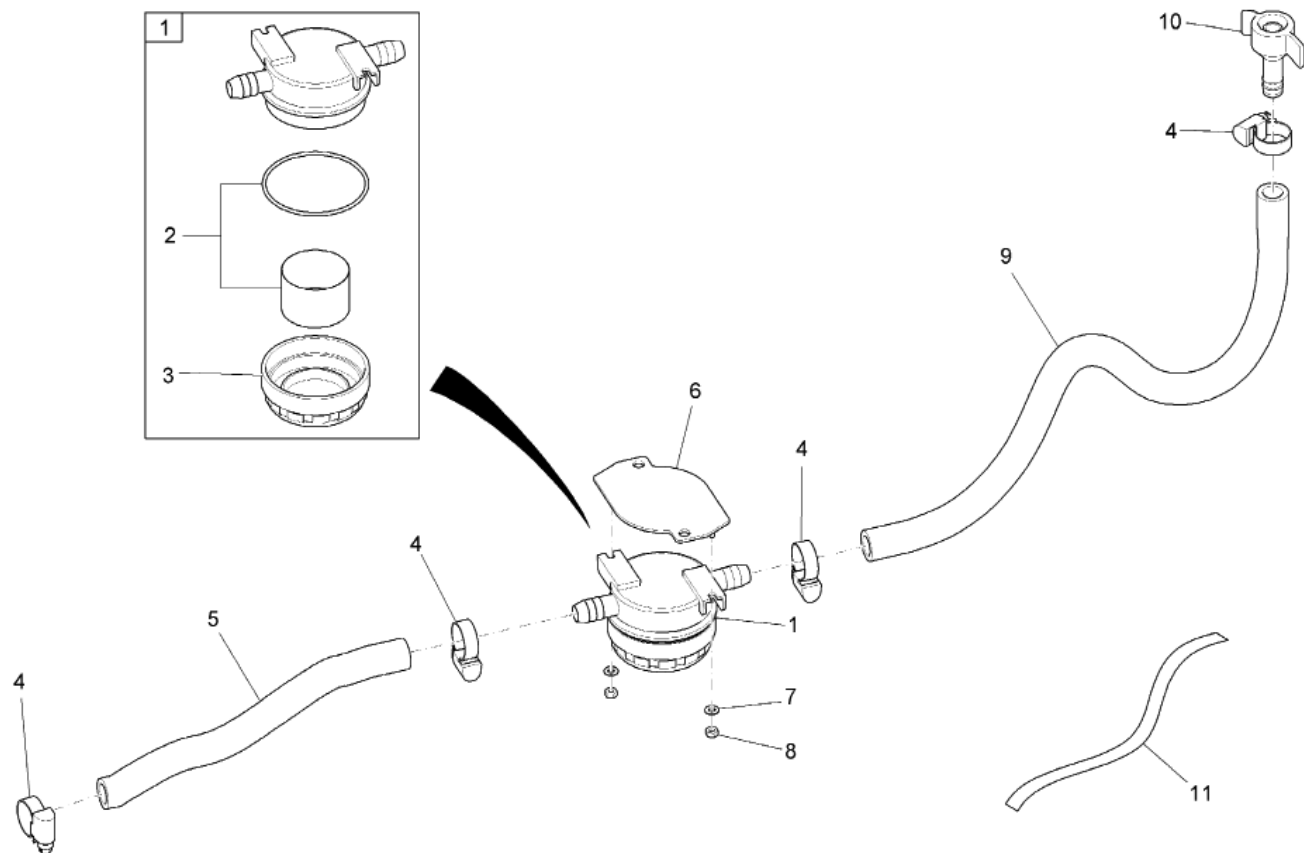


**Chassis Part III (Ref. 97098867-3)**

Item	Part Number	Description	Qty.	Notes
1	For Reference	Water Supply	1	Ref. 97094981
2	12310033	Washer	4	
3	11038064	Hexagon Screw	2	
4	11177179	Lens Flange Screw	1	
5	90513243	Bushing	1	
6	12040051	Hexagon Nut	2	
7	11038197	Hexagon Screw	10	
8	12310041	Washer	11	
9	90503160	Retainer	1	
10	12332029	Washer	1	
11	11038247	Hexagon Screw	2	
12	90473158	Bushing	1	
13	90495268	Sheet Metal Latch	1	
14	90329095	Solution Pump	1	
15	19725035	Case	1	
16	19791029	Plastic Cover	1	

Item	Part Number	Description	Qty.	Notes
17	19791037	Plastic Cover	1	
18	19724020	Tab	1	
19	12310025	Washer	1	
20	For Reference	Water Supply	1	Ref. 97094999
21	12040044	Hexagon Nut	1	
22	11177060	Lens Flange Screw	1	
23	90515131	Steering Roller	2	
24	90523333	Tension Spring	2	
25	11518180	Eye Bolt	2	
26	12022059	Hexagon Nut	1	
27	90513573	Pivot	1	
28	97103568	Suction Unit Connection	1	
29	11126067	Socket Head Screw	1	
30	96112370	Linkage	1	
31	96115456	Linkage	1	
32	96117510	Linkage	1	

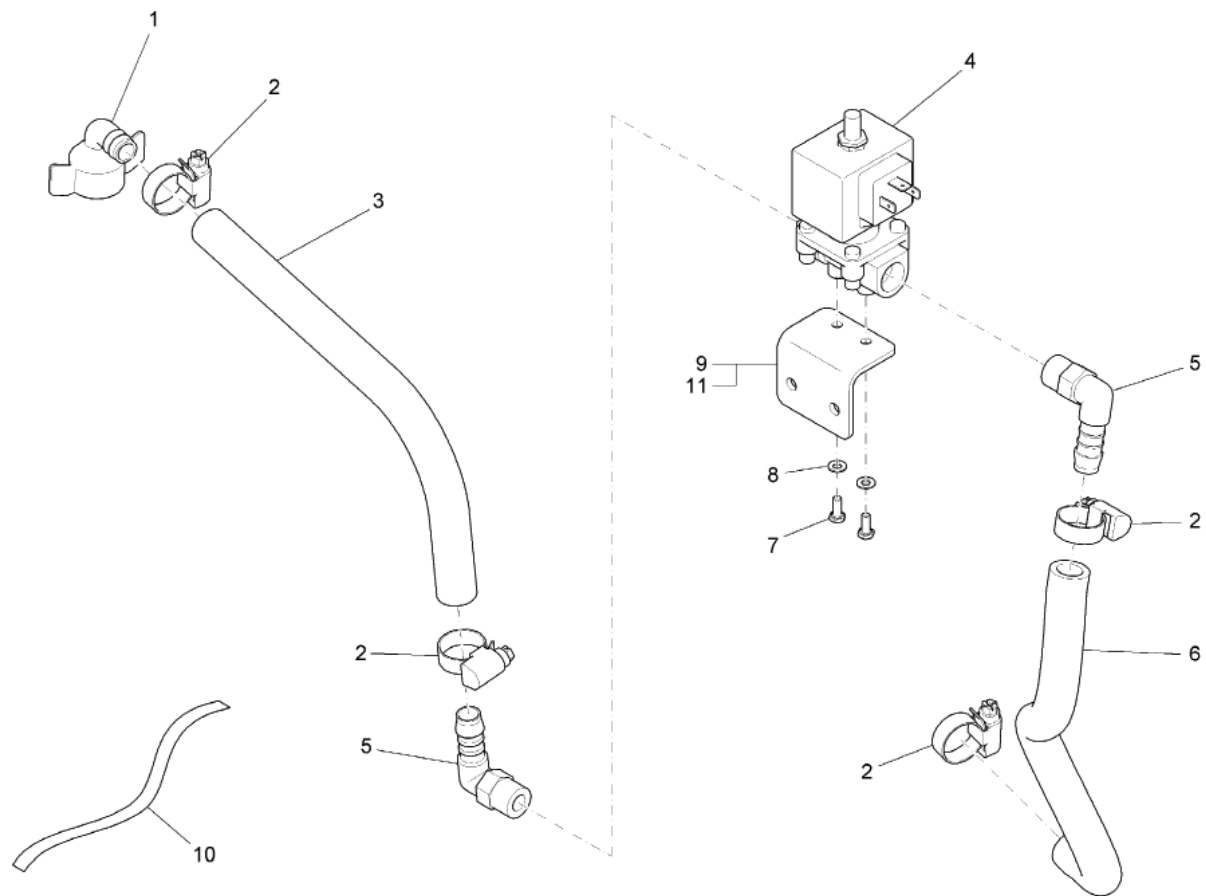
## Water Supply Part I



Water Supply Part I (Ref. 97094981)

Item	Part Number	Description	Qty.	Notes
1	90522640	Water Filter	1	
2	01079170	Filter Cartridge	1	
3	01076500	Screw Cap	1	Assembly with O-Ring
4	3302144	Hose Clamp	4	
5	25842055	PVC Hose	300mm	
6	96115035	Sheet Metal	1	
7	12310017	Washer	2	
8	12040028	Hex. Nut	2	
9	25842055	PVC Hose	480mm	
10	90432071	Fitting	1	
11	829552	Teflon Tape	1	

## Water Supply Part II

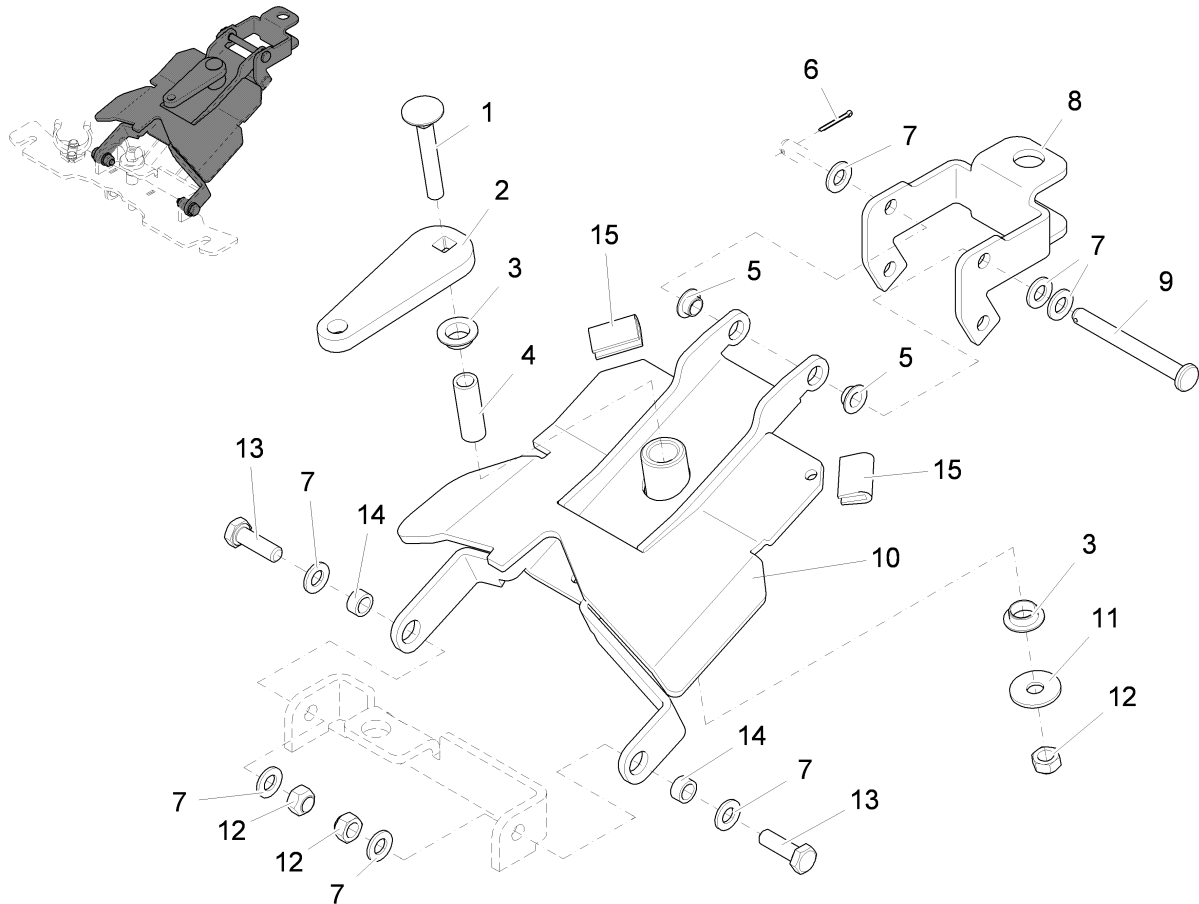




**Water Supply Part II (Ref. 97094999)**

<b>Item</b>	<b>Part Number</b>	<b>Description</b>	<b>Qty.</b>	<b>Notes</b>
1	90330168	Fitting 90° Screw In	1	
2	3302144	Hose Clamp	4	
3	25842055	PVC Hose	1	
4	90435595	Electrovalve	1	
5	90174970	Fitting 90° Screw In	2	
6	25842055	PVC Hose	1	
7	11038965	Hex.Bolt	2	
8	12310017	Washer	2	
9	90513904	Mounting Bracket	1	Used until 03/2007
10	829552	Teflon Tape	1	
11	90524885	Mounting Bracket	1	Used After 03/2007

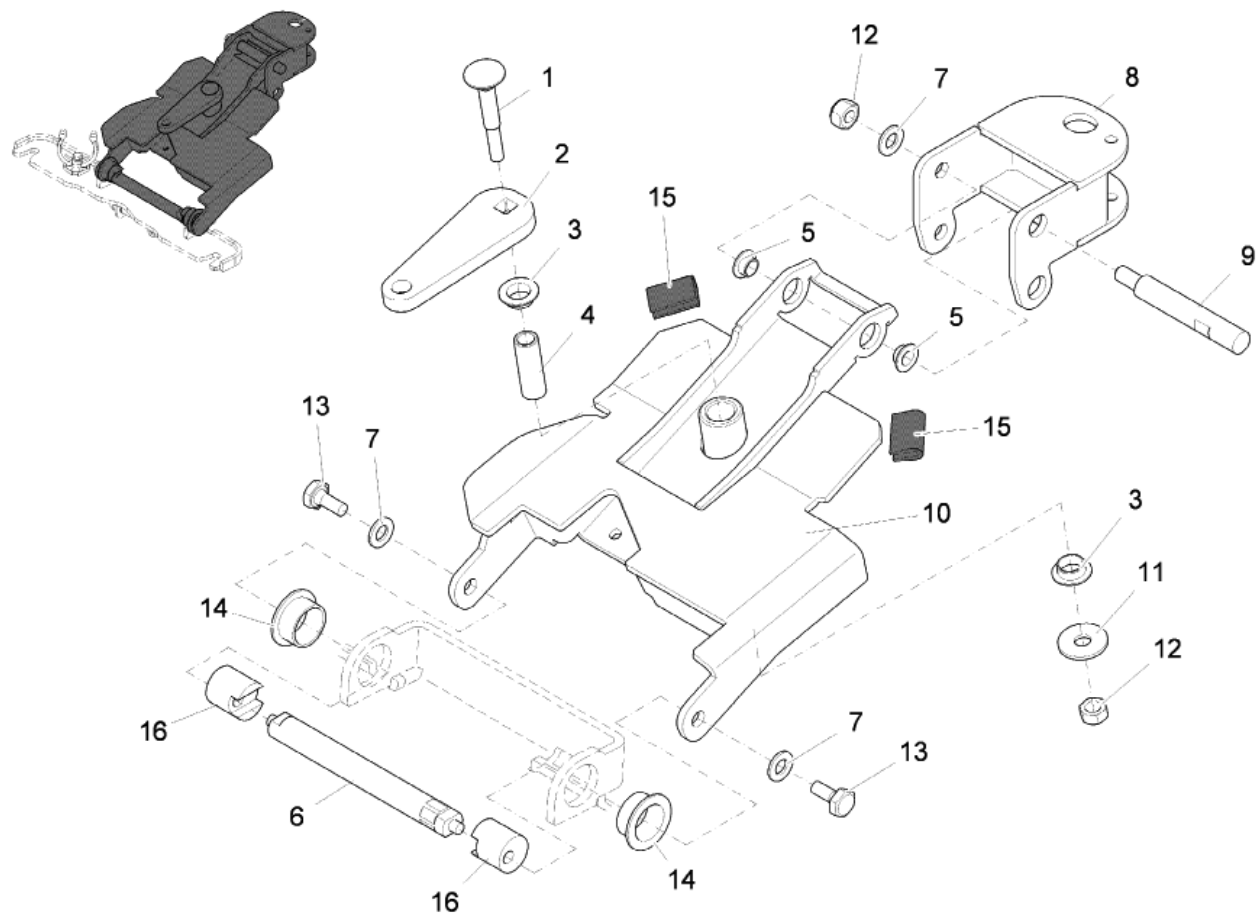
Squeegee Connection Part I - used until 04/15/2008



Squeegee Connection Part I (Ref. 97099915-1)

Item	Part Number	Description	Qty.	Notes
1	11620564	Cup Head Square Neck Bolt	1	
2	90521790	Sheet metal	1	
3	14895478	Slide Bearing Bushing	2	
4	90204702	Pipe	1	
5	14895460	Slide Bearing Bushing	2	
6	13280078	Cotter pin	1	
7	12310041	Washer	5	
8	90534710	Bracket	1	
9	13328810	Bolt	1	
10	96117569	Sheet Metal	1	
11	12332029	Washer	1	
12	12040051	Hexagon Nut	3	
13	11038247	Hexagon Screw	2	
14	90473158	Bushing	2	
15	25582024	Linkage	1	

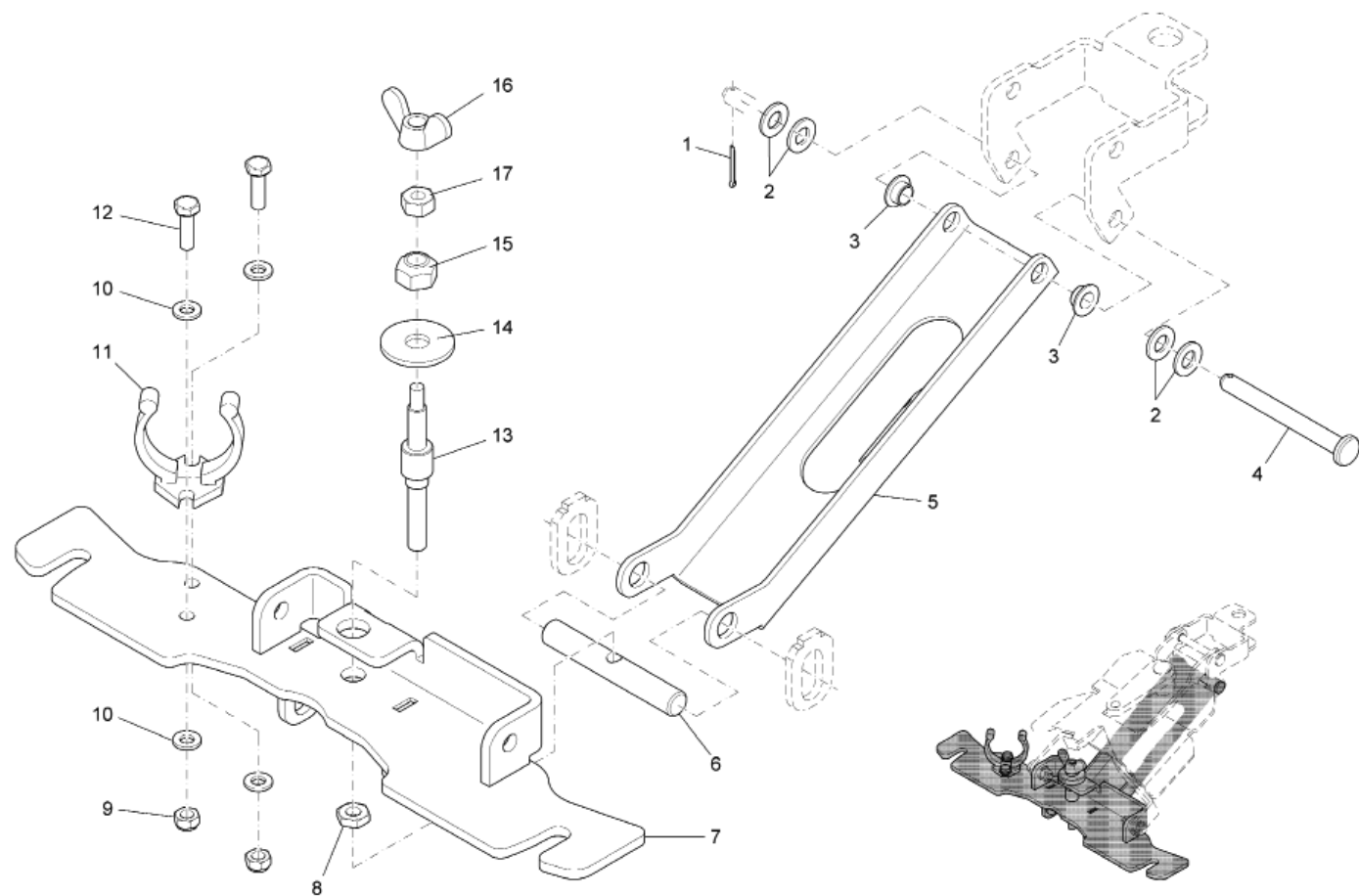
Squeegee Connection Part I - used after 04/15/2008



Squeegee Connection Part I (Ref. 97103568-1)

Item	Part Number	Description	Qty.	Notes
1	11620564	Cup head square neck bolt	1	
2	90521790	Sheet Metal	1	
3	14895478	Slide Bearing Bushing	2	
4	90547886	Bushing	1	
5	14895197	Slide Bearing Bushing	2	
6	90546847	Shaft	1	
7	12310264	Washer	3	
8	96119938	Round Part	1	
9	90547381	Threaded Bolt	1	
10	96121835	Sheet Metal	1	
11	12332029	Washer	1	
12	12040259	Hexagon Nut	2	
13	11039609	Hexagon Bolt	2	
14	14895361	Slide Bearing Bushing	2	
15	90532961	Edge Protection	2	
16	90547399	Eccentric	2	

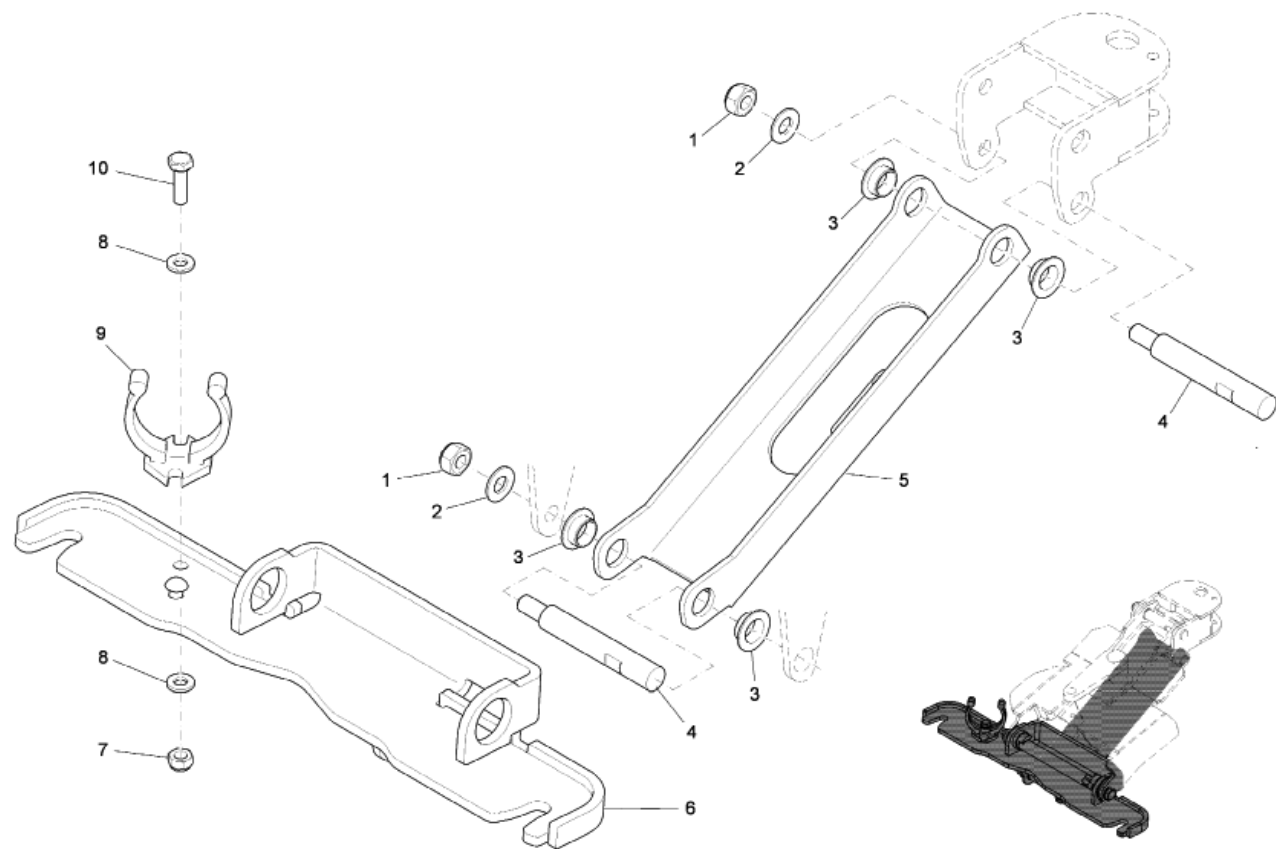
Squeegee Connection Part II - used until 04/15/2008



Squeegee Connection Part II (Ref. 97099915-2)

Item	Part Number	Description	Qty.	Notes
1	13280078	Cotter Pin	1	
2	12310041	Washer	1	
3	14895460	Slide Bearing Bushing	2	
4	13328935	Bolt	1	
5	90495805	Bracket Mounting Link	1	
6	90467686	Clevis Pin	1	
7	96110242	Sheet Metal	1	
8	12012019	Hex. Nut	2	
9	12040044	Hexagon Nut	2	
10	12310033	Washer	4	
11	90503251	Hose Support	1	
12	11038098	Hexagon Screw	2	
13	90515149	Threaded Pin	1	
14	12332029	Detent Edged Washer	1	
15	12040051	Knurled Nut	1	
16	12158028	Wing Nut	1	
17	12022042	Hexagon Nut	1	

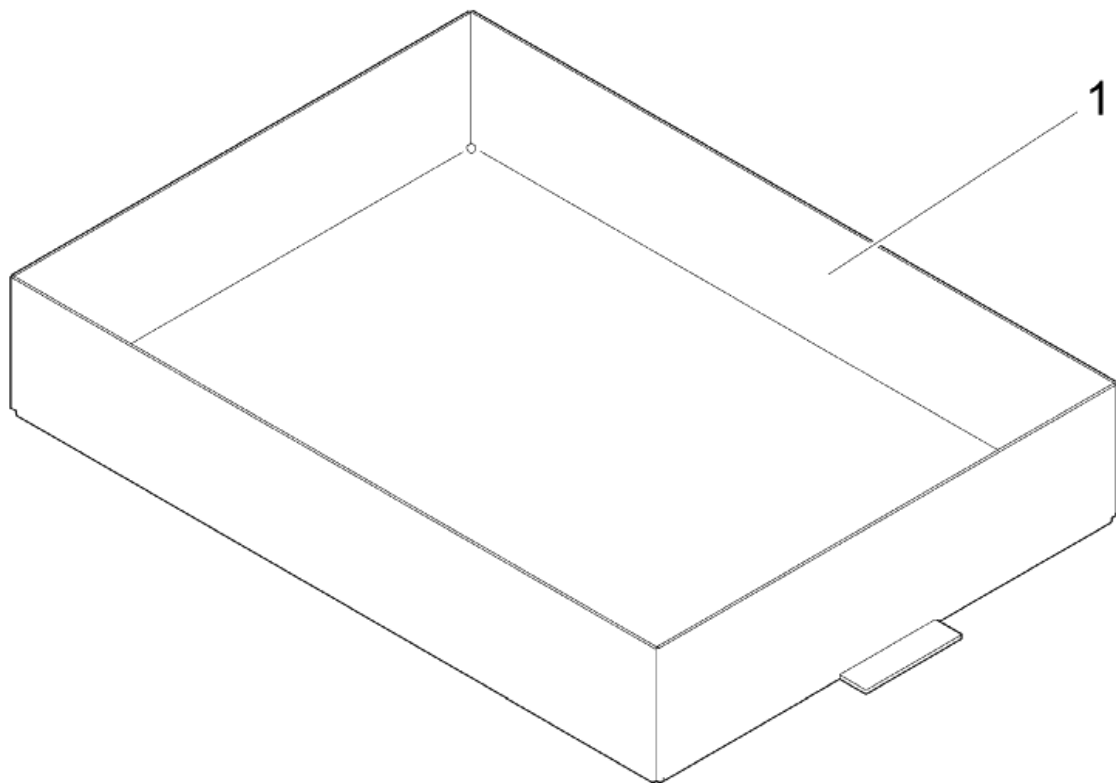
Squeegee Connection Part II - used after 04/15/2008





Squeegee Connection Part II (Ref. 97103568-2)

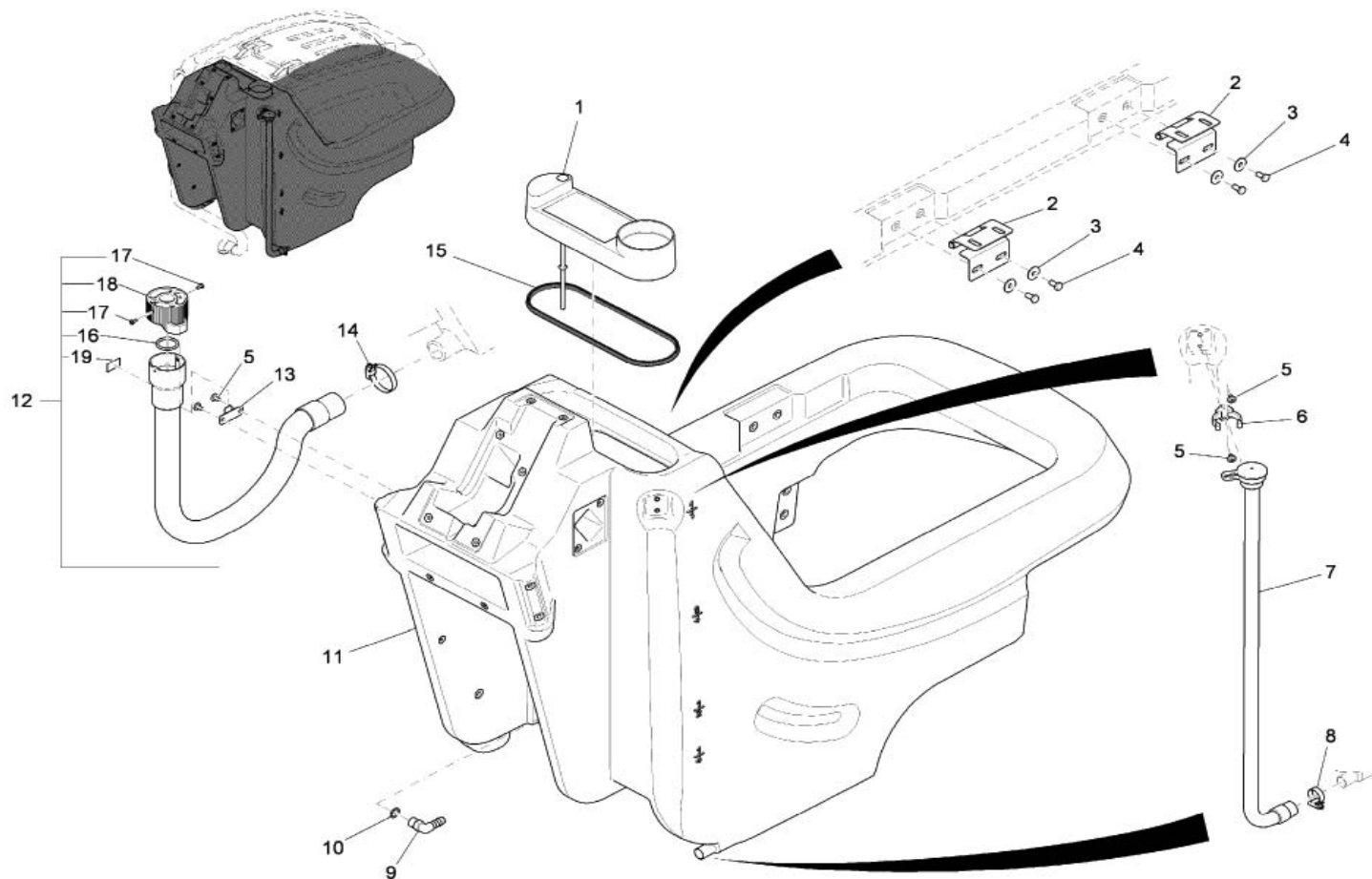
Item	Part Number	Description	Qty.	Notes
1	12040259	Hexagon Nut	2	
2	12310264	Washer	2	
3	14895197	Slide Bearing Bushing	4	
4	90547381	Threaded Bolt	3	
5	90543521	Draft Link	1	
6	96120993	Sheet Metal	1	
7	12040044	Hexagon Nut	1	
8	12310033	Washer	2	
9	90503251	Hose Support	1	
10	11038098	Hexagon Screw	1	



**Battery Tray (Ref. 99706131BT40)**

<b>Item</b>	<b>Part Number</b>	<b>Description</b>	<b>Qty.</b>	<b>Notes</b>
1	96117643	Battery Tray	1	

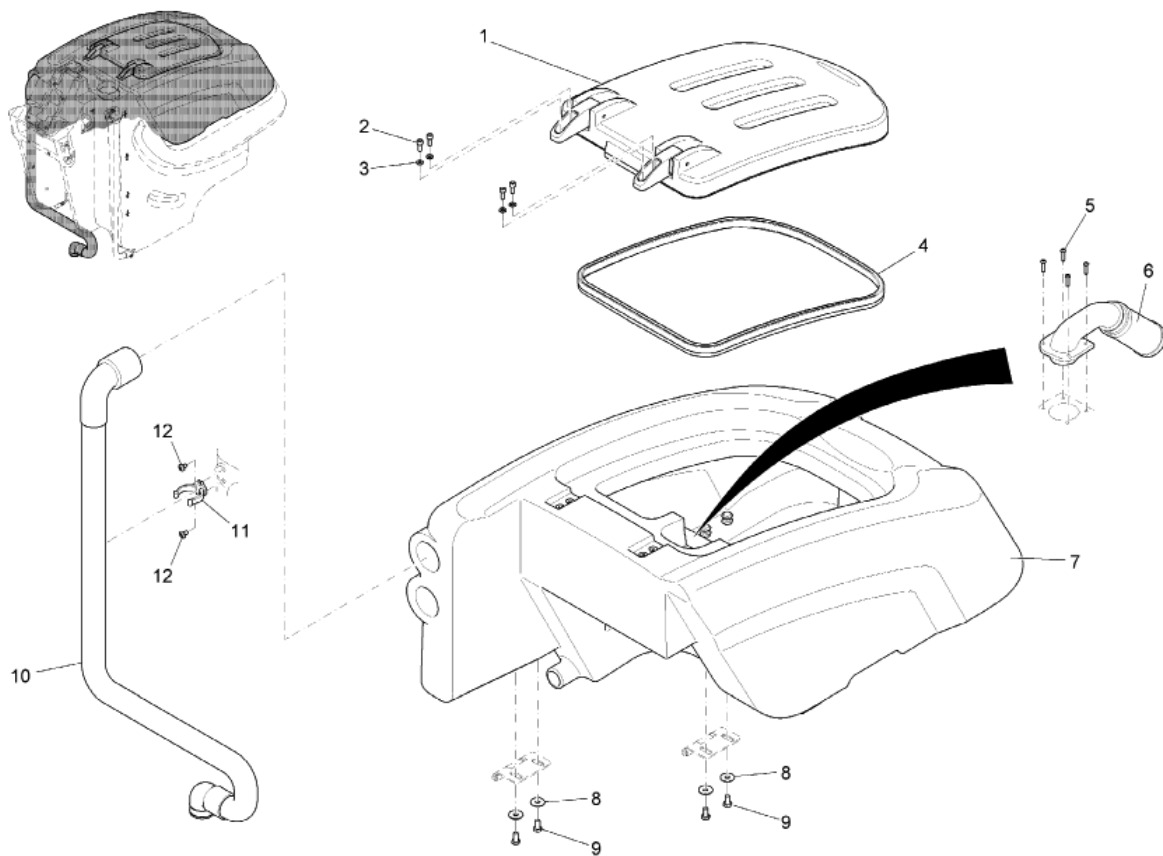
## Solution Tank / Body Assembly



**97100143HR Solution Tank & Body Assembly**

<b>Item</b>	<b>Part Number</b>	<b>Description</b>	<b>Qty.</b>	<b>Notes</b>
1	96114061	Solution Tank Fill Cap	1	
2	90496910	Hinge	2	
3	12515086	Washer	4	
4	11038197	Hexagon Screw	4	
5	11177179	Lens Flange Screw	4	
6	90503251	Hose Support	1	
7	96109541	Hose Solution Level	1	
8	3300535	Clamp	1	
9	90174970	Fitting 90° Screw In	1	
10	15286149	O-Ring Oil Resistant	1	
11	96117734	Solution Tank	1	
12	97090096	Drain Hose Assembly	1	Sub-Assembly
13	90517574	Hook	1	
14	760245	Hose Clamp	1	
15	90536467	Edge Protection	710mm	
16	15282072	O-Ring	1	Part of Item 12
17	11175395	Fillister-head screw	2	Part of Item 12
18	90304528	Cap	1	Part of Item 12
19	17264888	Decal Foul Water	1	Part of Item 12

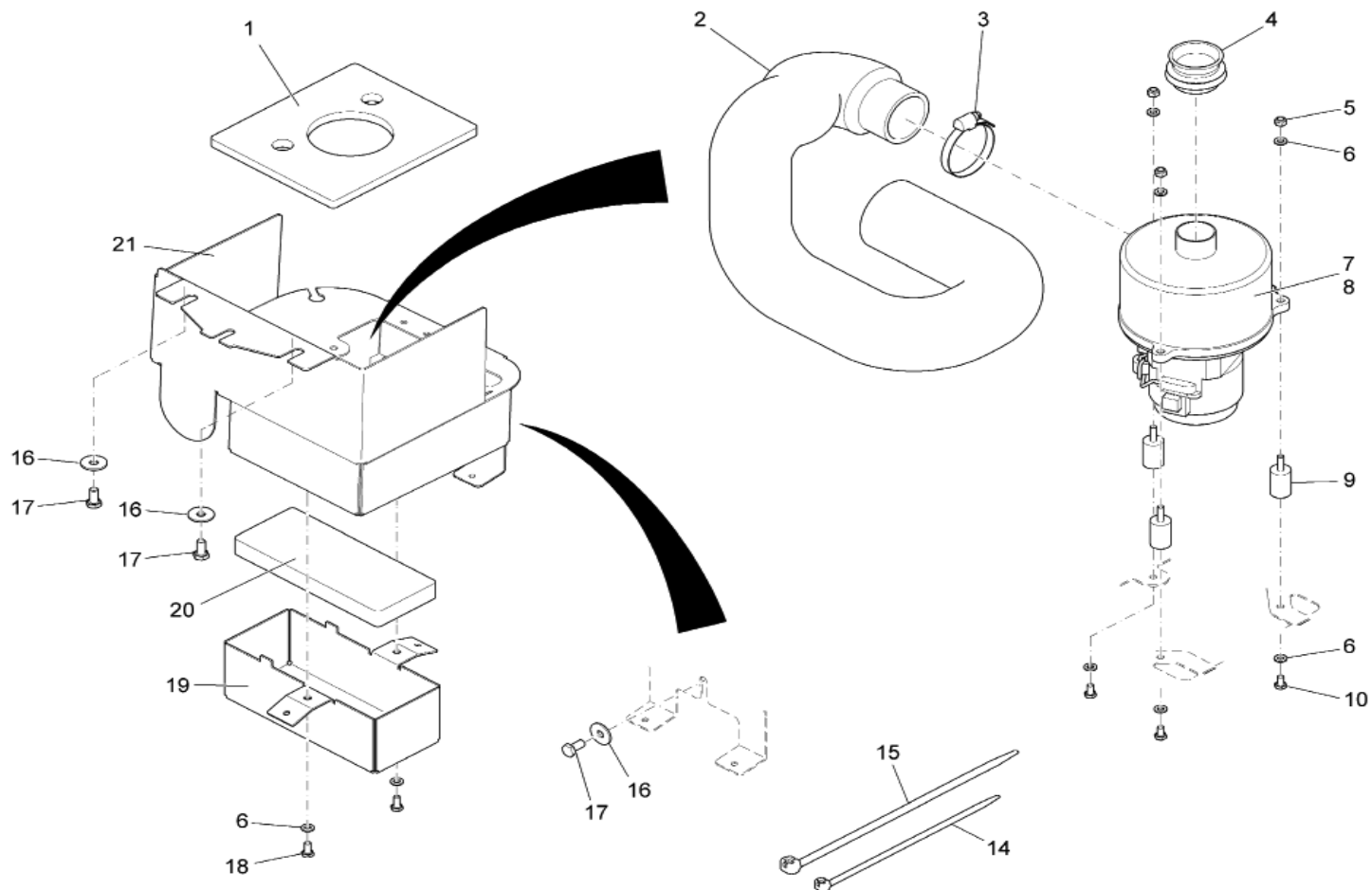
## Recovery Tank Assembly



Recovery Tank Assembly (Ref. 97100143HR-2)

Item	Part Number	Description	Qty.	Notes
1	97092951	Cover	1	
2	11132065	Cylinder Head Screw	4	
3	12310033	Washer	4	
4	90503871	Lid Gasket	1	
5	11709151	Screw	4	
6	97093843	Filter Unit	1	
7	96117726HR	Recovery Tank	1	
8	12515086	Washer	4	
9	11038197	Hexagon Screw	4	
10	96111349	Suction Hose	1	
11	90503251	Hose Support	1	
12	11177179	Lens Flange Screw	2	

## Vacuum Motor Assembly

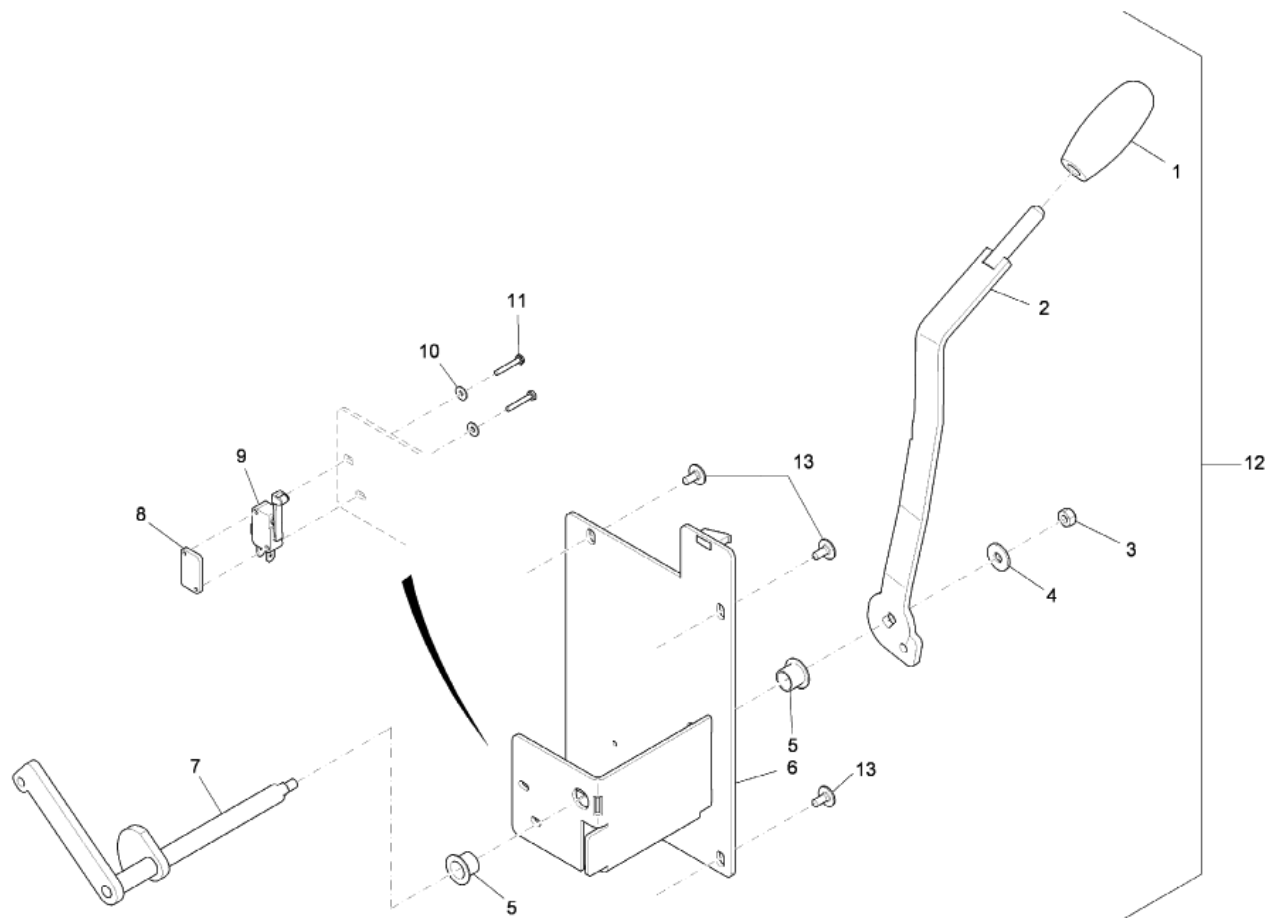




**Vacuum Motor Assembly (Ref. 97092811)**

<b>Item</b>	<b>Part Number</b>	<b>Description</b>	<b>Qty.</b>	<b>Notes</b>
1	90523945	Insulation Mat	1	
2	90519737	Hose	1	
3	3044112	Hose Clamp	1	
4	90503657	Connection	1	
5	12040044	Hexagon Nut	3	
6	12310033	Washer	8	
7	97096200	Vacuum Motor	1	
8	00048840	Carbon Brush	4	
9	90518457	Buffer	3	
10	11038056	Hexagon Screw	3	
14	828062	Cable Tie	1	
15	90156688	Cable Tie	4	
16	12332029	Washer	3	
17	11038197	Hexagon Screw	3	
18	11038064	Hexagon Screw	2	
19	90519653	Cover	1	
20	90519745	Insulation Mat	1	
21	96114301	Sheet Metal	1	

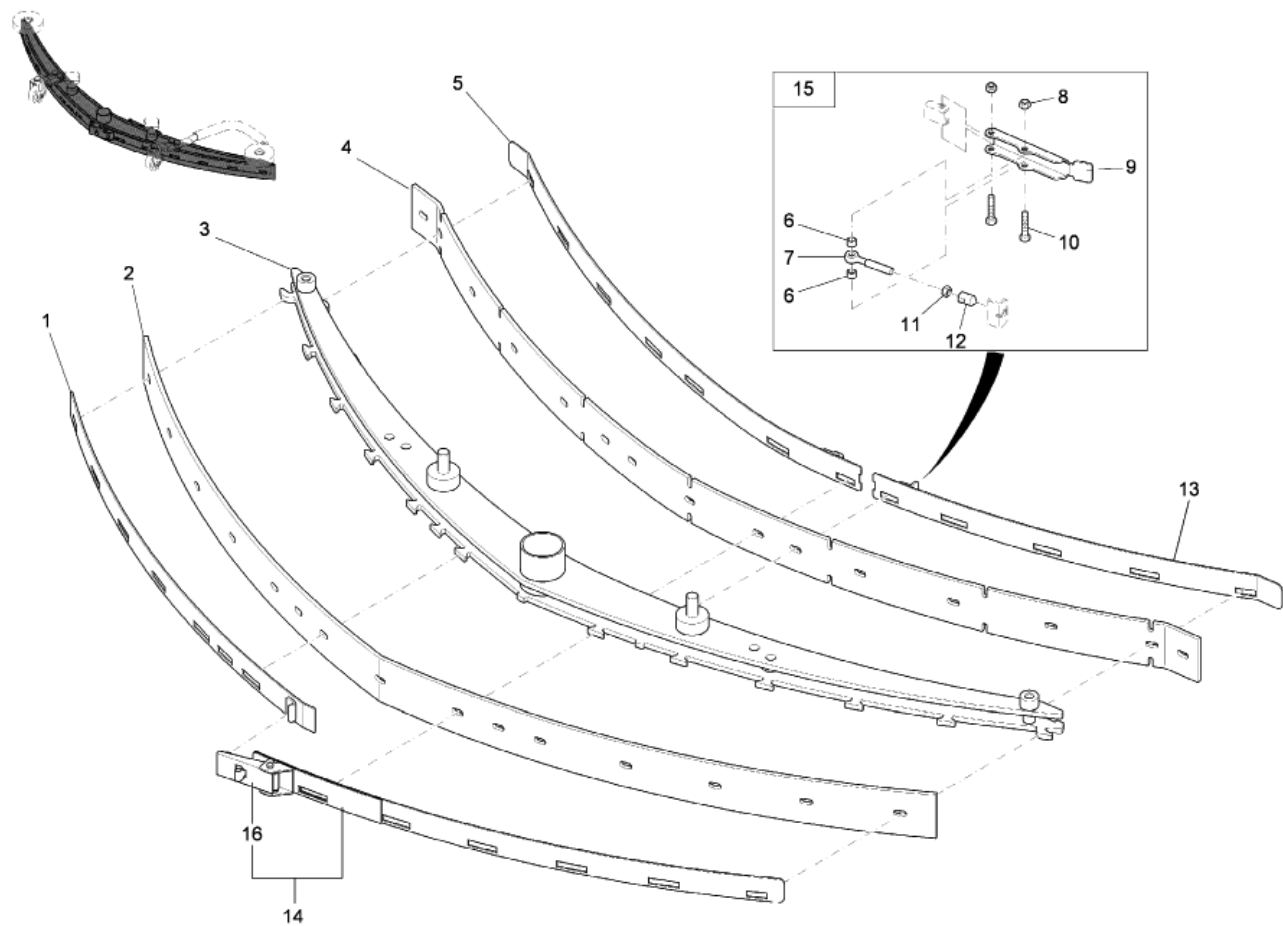
## Squeegee Lift / Lower Lever Assembly



**Squeegee Lift / Lower Lever Assembly (Ref. 97102479)**

<b>Item</b>	<b>Part Number</b>	<b>Description</b>	<b>Qty.</b>	<b>Notes</b>
1	17143025	Handle	1	
2	96119581	Lever	1	
3	12040044	Hexagon Nut	1	
4	12332011	Washer	1	
5	14895288	Plain Bearing Bushing	2	
6	96110804	Support Plate	1	
7	96110705	Shaft with Cam	1	
8	90471483	Thread Base Plate	1	
9	90306002	Micro Switch	1	
10	12332110	Washer	2	
11	11039088	Hex.Bolt	2	
12	Reference Only	Squeegee Lift / Lower Lever Assembly	1	
13	11177179	Lens Flange Screw	4	

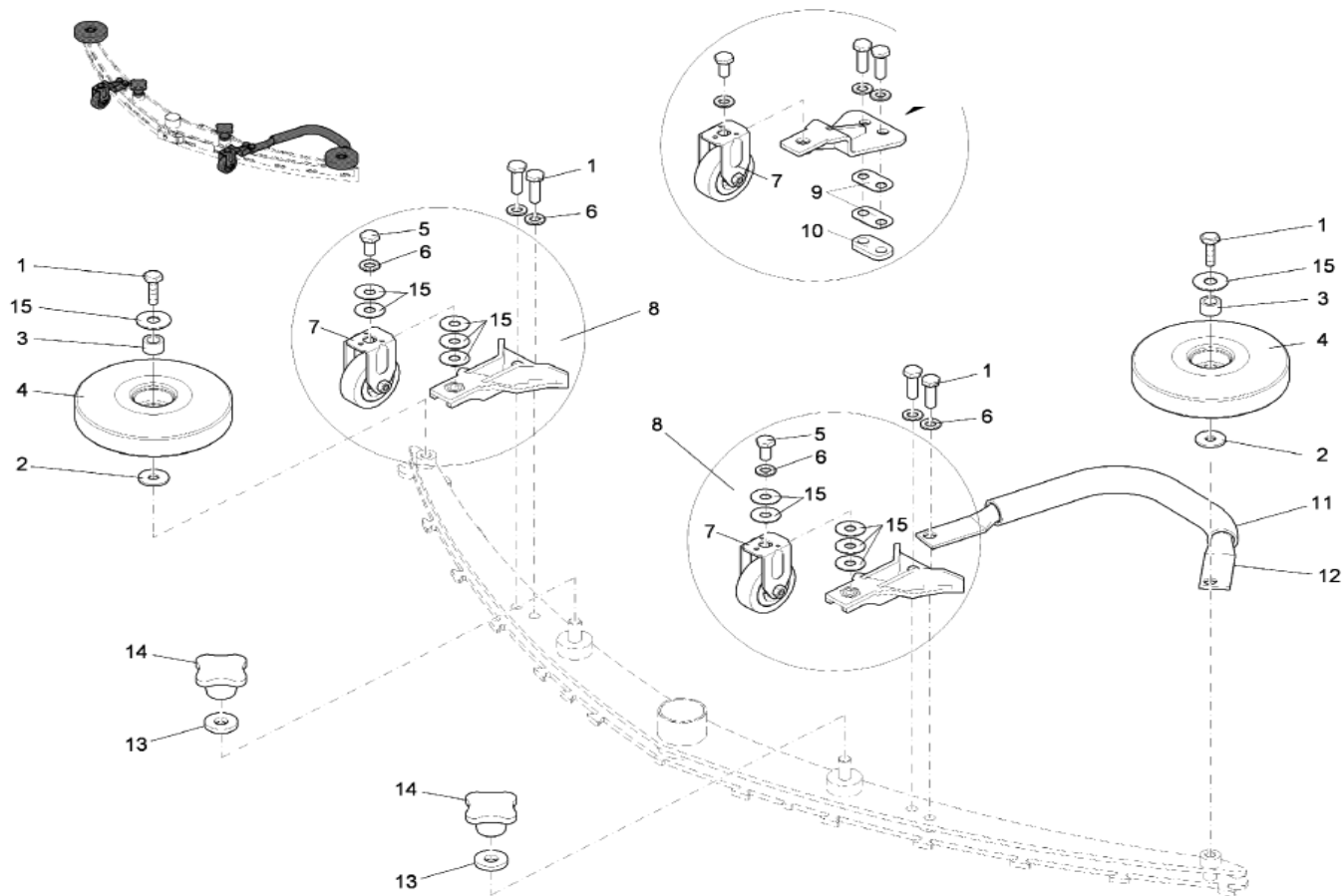
## Squeegee Assembly Complete Part I



Squeegee Assembly Part I (Ref. 97094502-1)

Item	Part Number	Description	Qty.	Notes
1	96125844	Rear Retainer Strap L/H	1	
2	90494139	Rear Squeegee Blade	1	
3	96113279	Squeegee Tool	1	
4	90493560	Front Squeegee Blade	1	
5	96125836	Front Retainer Strap L/H	1	
6	90514506	Bushing	2	Part of ITEM 15
7	11518313	Eye bolt	1	Part of ITEM 15
8	12040283	Hex. Nut	2	Part of ITEM 15
9	90535758	Lever	1	Part of ITEM 15
10	11039765	Hexagon Screw	2	Part of ITEM 15
11	12022430	Hex. Nut	1	Part of ITEM 15
12	90513631	Pressure piece	1	Part of ITEM 15
13	96113303	Front Retainer Strap R/H	1	
14	96113428	Rear Retainer Strap R/H	1	
15	97057459	Latch Assembly	1	
16	17383209	Lock	1	

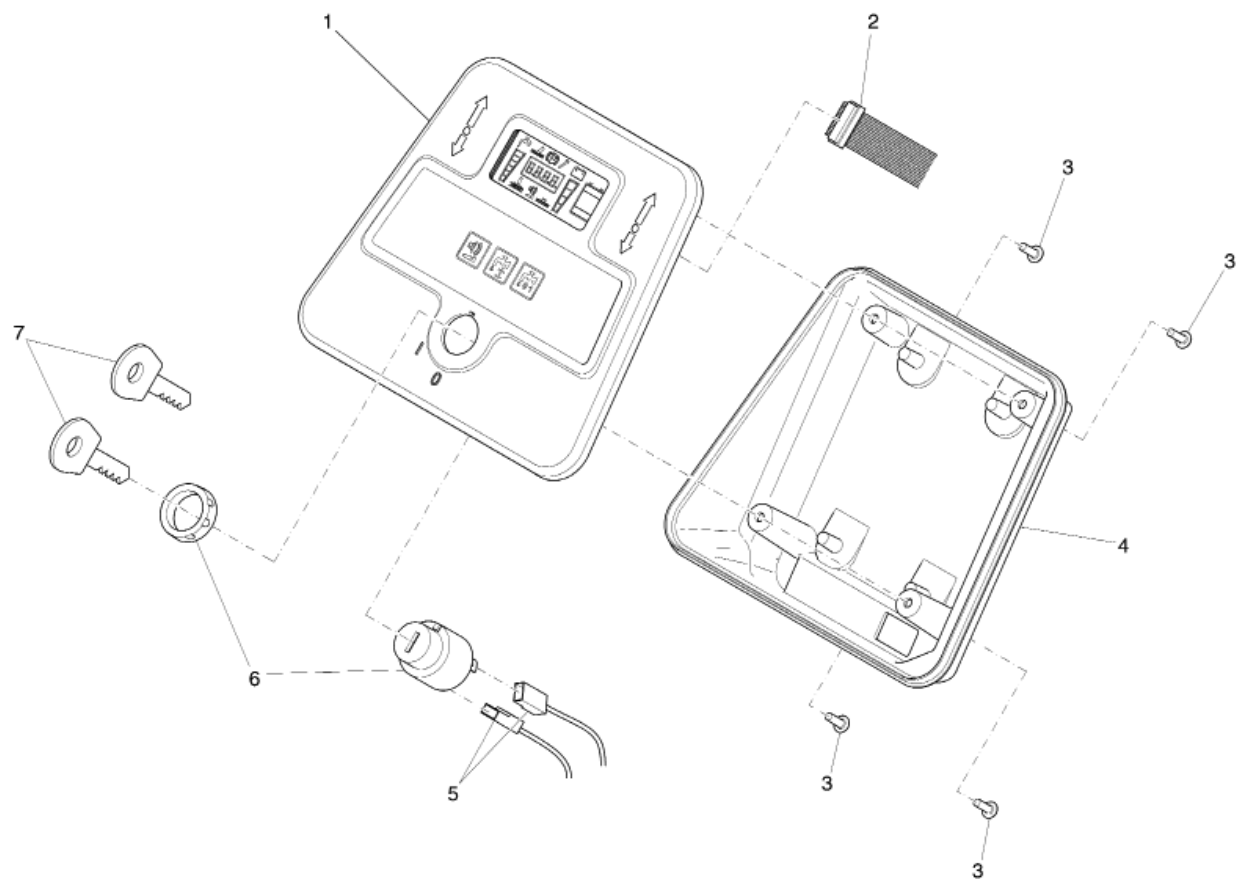
## Squeegee Assembly Complete Part II



Squeegee Assembly Part II (Ref. 97094502-2)

Item	Part Number	Description	Qty.	Notes
1	11039567	Hexagon Screw	6	
2	12332136	Washer	2	
3	90199019	Pipe	2	
4	90548397	Deflector Roller	2	
5	11039609	Hex. Bolt	2	
6	12310264	Washer	4	
7	90513094	Fixed Caster Wheel	2	
8	97098842	Fixed Caster Wheel	2	
9	01077610	Distance Piece	2	
10	90514936	Distance Piece	1	
11	90515479	Hose	250mm	
12	90548413	Bracket	1	
13	12515094	Disk Wheel	2	
14	17133026	Star Handle	2	
15	90531112	Spacer	10	

## Console Assembly

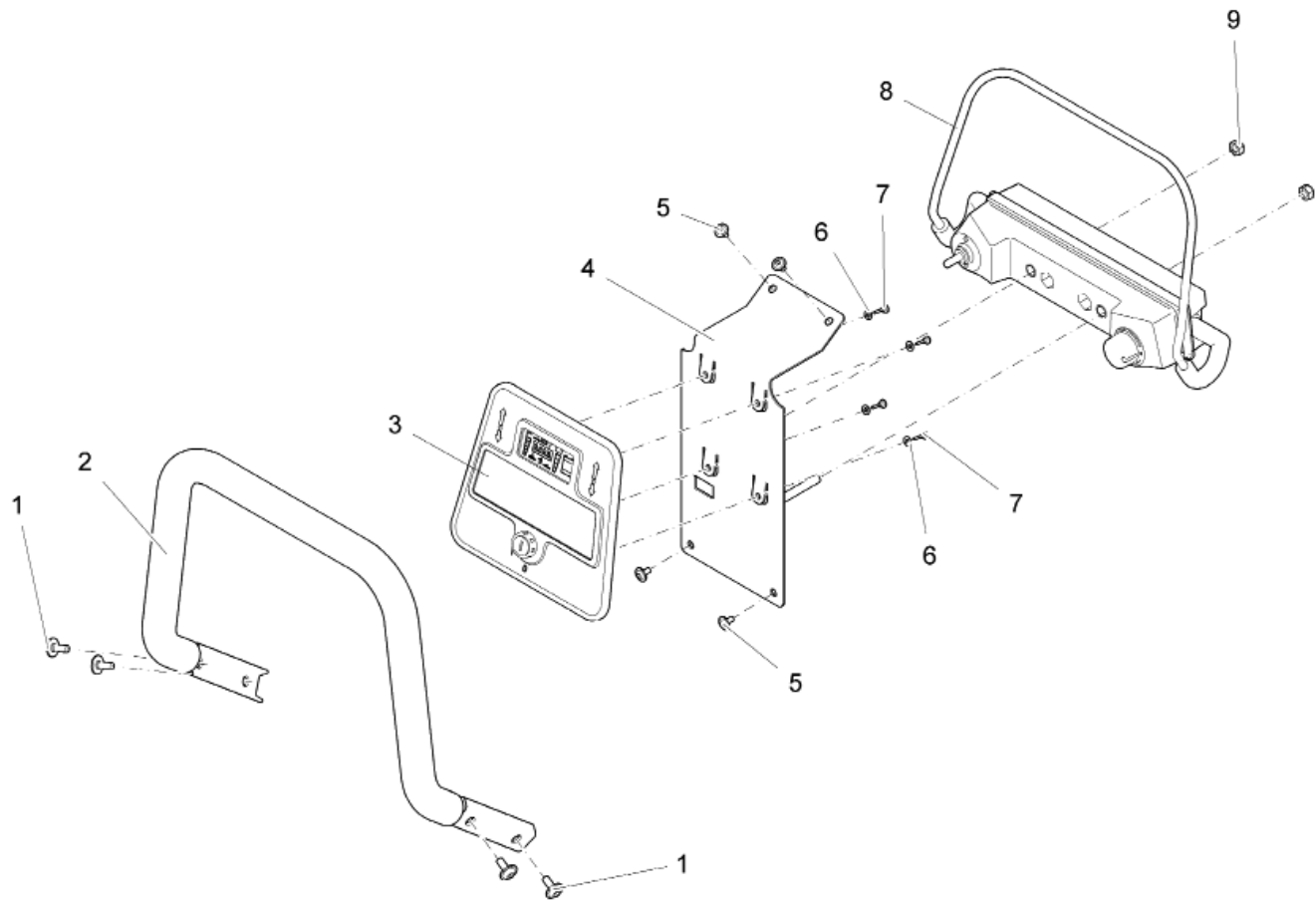




**Console Assembly (Ref. 97091839)**

<b>Item</b>	<b>Part Number</b>	<b>Description</b>	<b>Qty.</b>	<b>Notes</b>
1	97096523	Console B70/B90	1	
2	90511130	Ribbon Cable	1	
3	11702123	Screw	4	
4	90499492	Console	1	
5	90518150	Cable key Switch	1	
6	90323437	Key Switch	1	
7	00745890	Set (2pc.) Key	1	

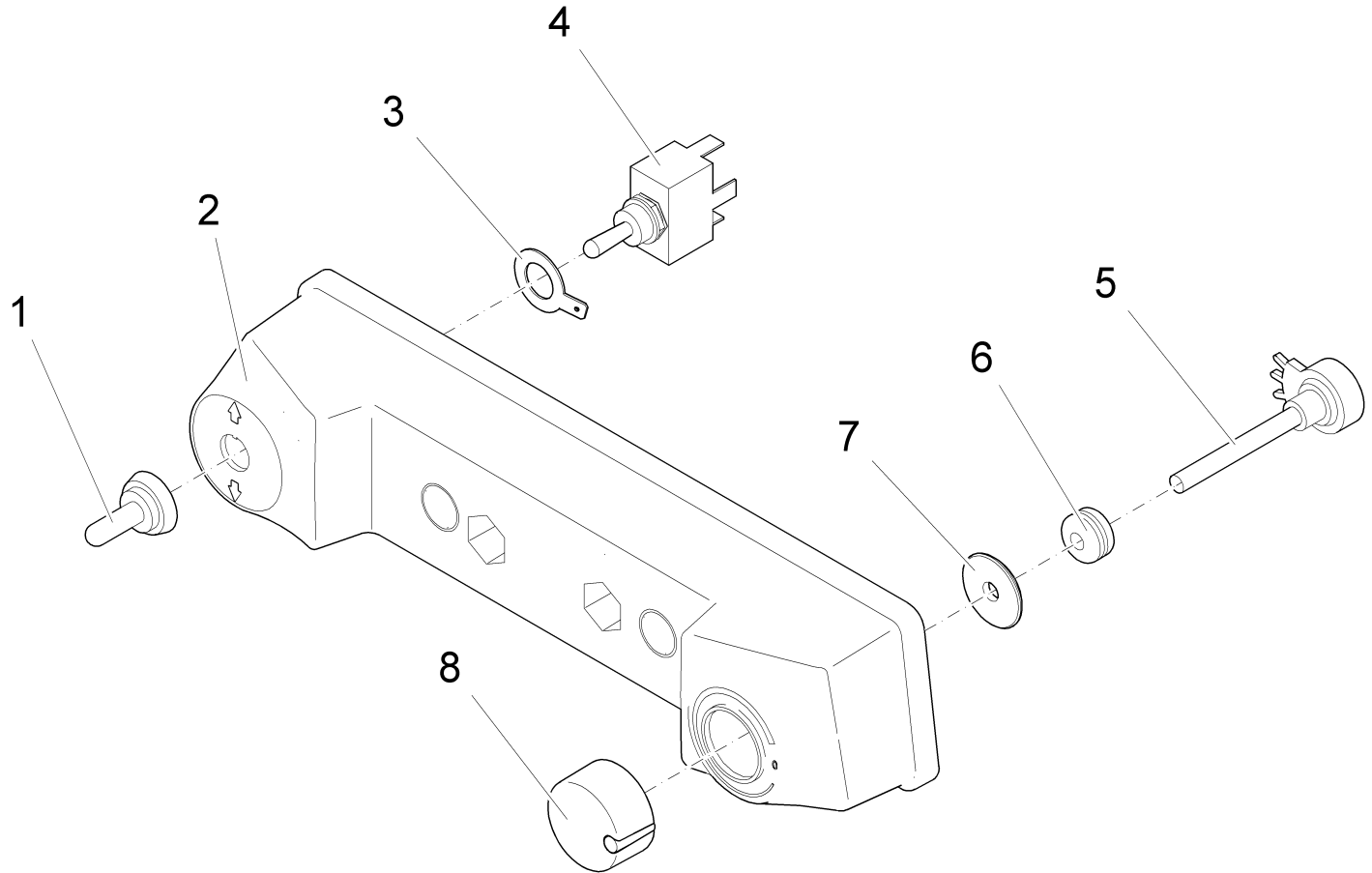
## Operation Handle Assembly



Operation Handle Assembly (Ref. 97096523)

Item	Part Number	Description	Qty.	Notes
1	11177253	Lens flange screw	4	
2	96122286	Handle Bar	1	
3	For Reference	Console Assembly	1	Ref. 97091839
4	96117585	Sheet Metal	1	
5	11177179	Lens flange screw	4	
6	12310272	Washer	4	
7	11709011	Self tapping screw	4	
8	97096069	Bail System	1	Ref. 97098834 & 97099410
9	12040051	Hexagon Nut	2	

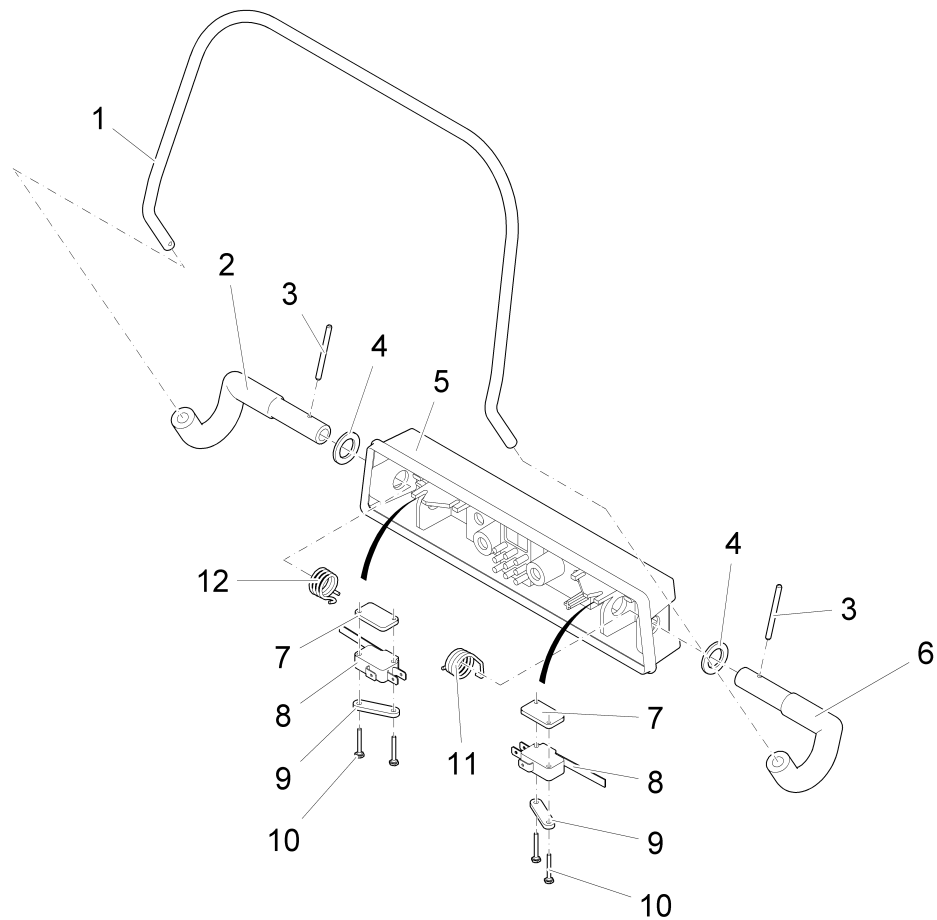
## Upper Housing Assembly



Upper Housing (Ref. 97098834)

Item	Part Number	Description	Qty.	Notes
1	90516204	Rubber Cap	1	
2	90531260	Housing	1	
3	90534421	Grounding Washer	1	
4	90516147	Toggle Switch	1	
5	97100416	Potentiometer	1	
6	15595382	Cable Sleeve	1	
7	90528548	Washer	1	
8	90344532	Turning Knob	1	

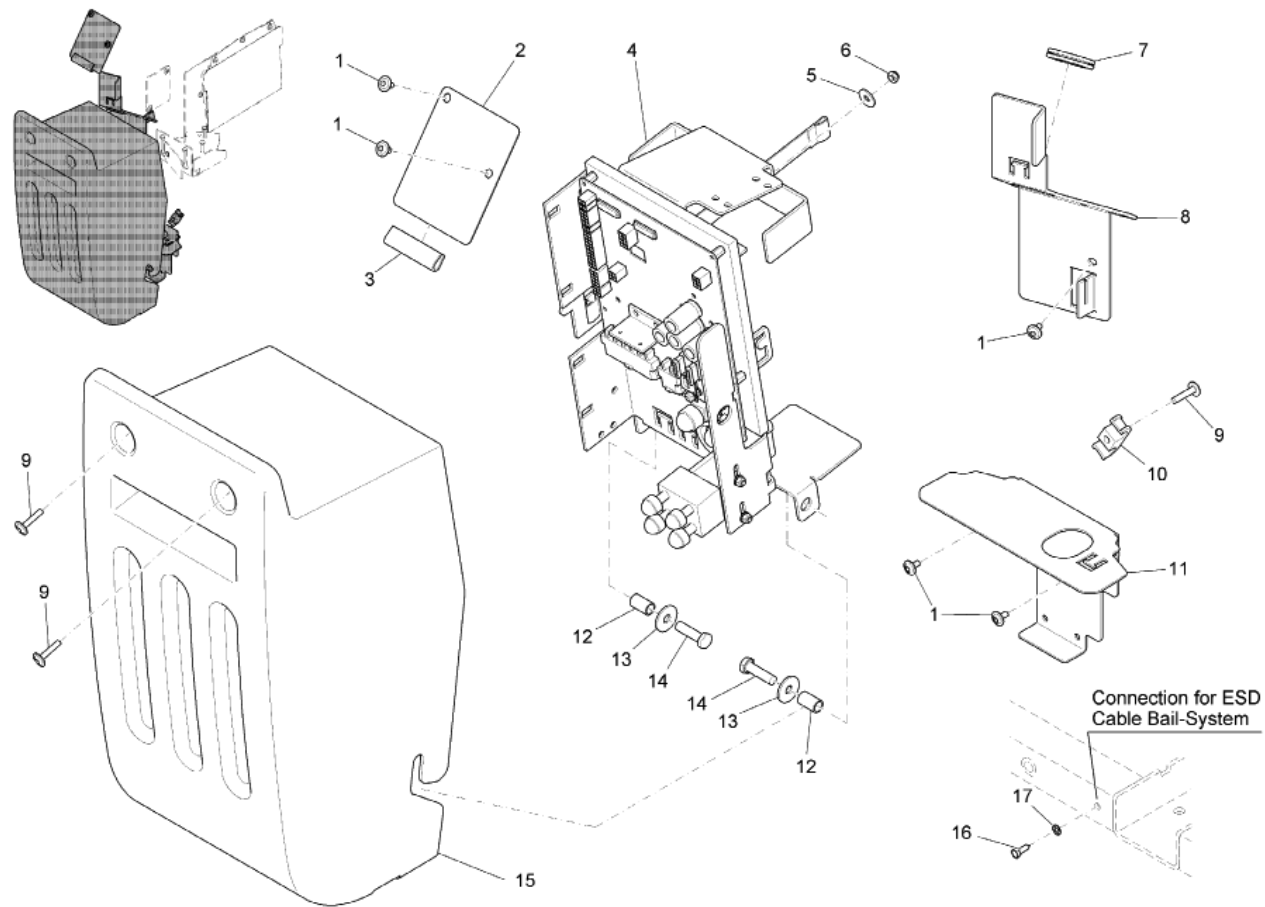
# Lower Housing Assembly



Lower Housing (Ref. 97099410)

Item	Part Number	Description	Qty.	Notes
1	90518770	Handle	1	
2	90531153	Support Bracket Left	1	
3	For Reference	Pin	2	
4	90531583	Washer	2	
5	90520149	Lower Housing	1	
6	90531179	Support Bracket Right	1	
7	90471483	Plate	2	
8	90520446	Micro Switch	2	
9	90534702	Plate	2	
10	11039088	Hex.Bolt	4	
11	90532219	Spring	1	
12	90531625	Spring	1	

# Control Box Electrical Part I

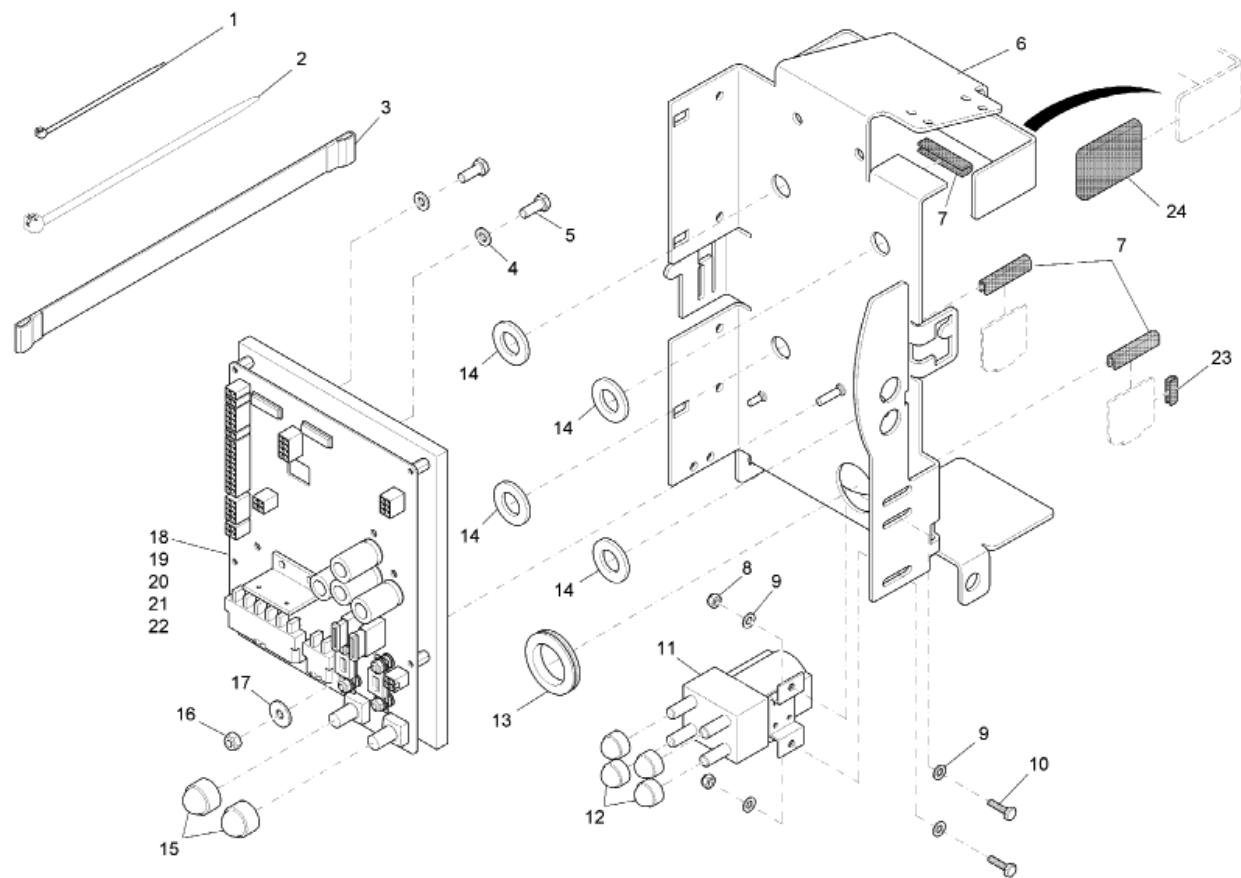




## Control Box Electrical Part I (Ref. 97098990-1)

Item	Part Number	Description	Qty.	Notes
1	11177179	Lens Flange Screw	5	
2	90509803	Sheet Metal	1	
3	90522509	Edge Protection	1	
4	For Reference	Retainer cpl.	1	Ref. 97099006
5	12347027	Washer	1	
6	12040044	Hexagon Nut	1	
7	15595259	Bushing	1	
8	90511338	Sheet Metal	1	
9	11177161	Lens Flange Screw	3	
10	17521048	Clamp	1	
11	90529165	Clamping Plate	1	
12	90499377	Bushing	2	
13	12332029	Washer	2	
14	11038254	Hexagon Screw	2	
15	96114996	Covering	1	
16	11412038	Tapping Screw	1	
17	12518080	Lock Washer	1	

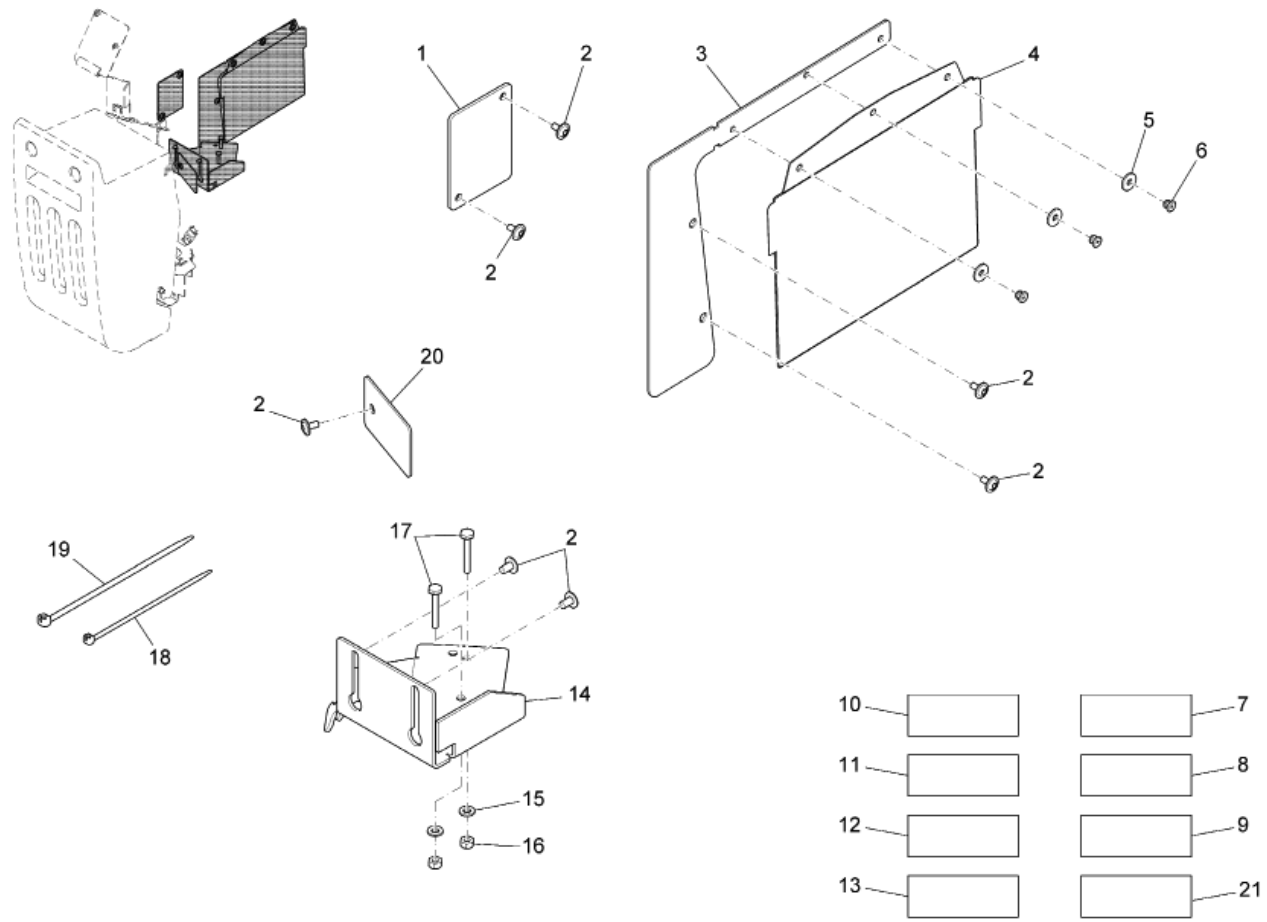
## Retainer Assembly



**Retainer Assembly (Ref. 97099006)**

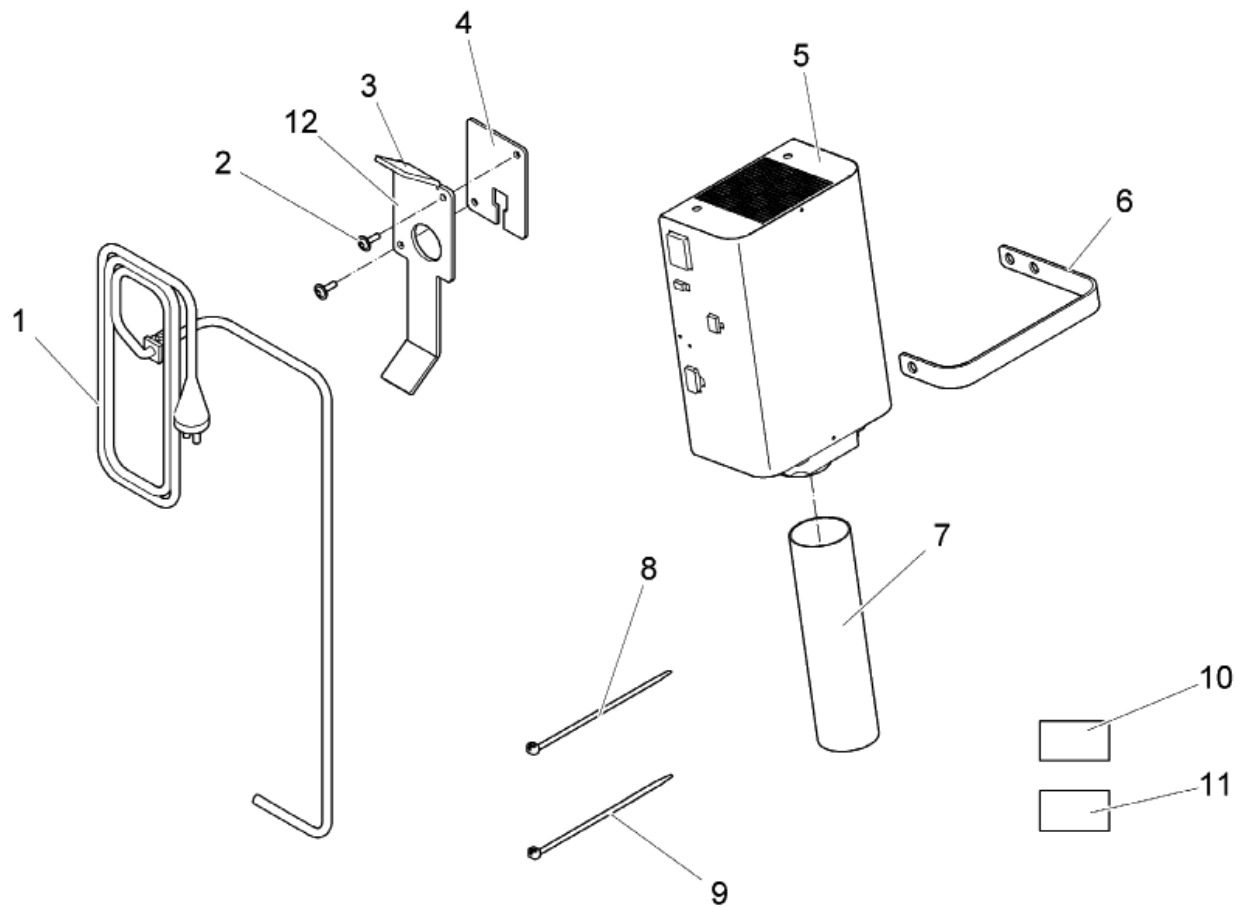
<b>Item</b>	<b>Part Number</b>	<b>Description</b>	<b>Qty.</b>	<b>Notes</b>
1	90156688	Cable Tie	4	
2	828062	Cable Tie	8	
3	90517699	Webbing	1	
4	12310033	Washer	2	
5	11038072	Hexagon bolt	2	
6	96118963	Retainer	1	
7	90504580	Edge Protection	120mm	
8	12040036	Hexagon Nut	2	
9	12310025	Washer	4	
10	11038049	Hexagon Nut	2	
11	90331026	Solenoid	1	
12	15592033	Lens Cap	4	
13	15595259	Bushing	1	
14	90510017	Washer	4	
15	15592041	Lens Cap	2	
16	12040044	Hexagon Nut	1	
17	12332011	Washer	1	
18	90532334	Controller HIGH 8-FET BAIL-KUD	1	
19	00972420	Strip Fuse	0	
20	00902440	Strip Fuse	0	
21	19731082	Fuse	0	
22	00972430	Fuse	0	
23	90532854	Edge Protection	30mm	
24	90463746	Cap	2	

# Control Box Electrical Part II



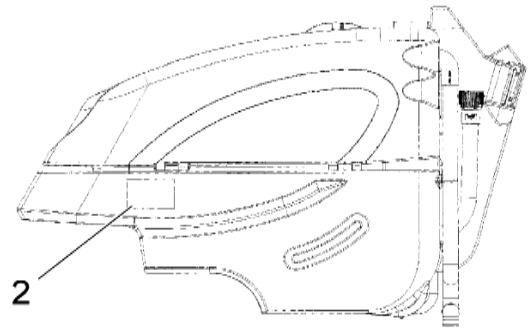
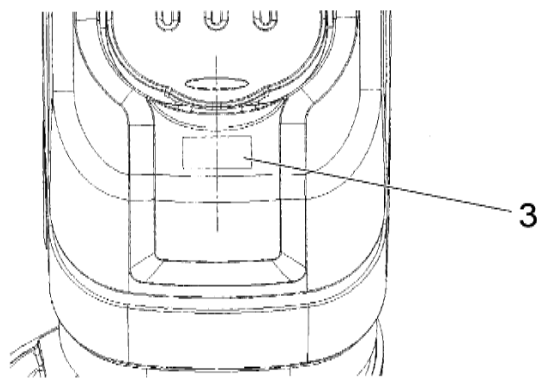
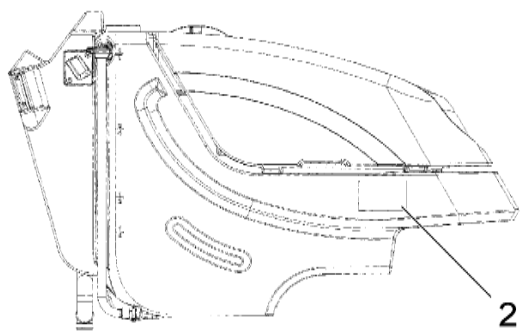
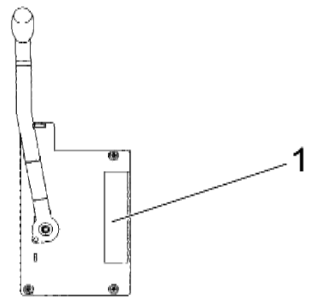
## Control Box Electrical Part II (Ref. 97098990-2)

Item	Part Number	Description	Qty.	Notes
1	90518119	Covering	1	
2	11177179	Lens Flange Screw	7	
3	90511346	Sheet Metal	1	
4	90465774	Bag	1	
5	12332052	Washer	3	
6	13165196	Blind Rivet	3	
7	97094247	Wiring Harness W1	1	
8	97094254	Wiring Harness W2	1	
9	97099089	Wiring Harness W3	1	
10	97099063	Wiring Harness W9	1	
11	97095624	Wiring Harness W11	1	
12	97094387	Set of Cables	1	
13	97095657	Set of Cables Battery	1	
14	90512146	Sheet Metal	1	
15	12310033	Washer	2	
16	12040044	Hexagon Nut	2	
17	11038817	Hexagon Bolt	2	
18	828062	Cable Tie	12	
19	90156688	Cable Tie	18	
20	90511320	Sheet Metal	1	
21	97099048	Cable Loom	1	



**Battery Charger 24V 22A (Ref. 97099436)**

<b>Item</b>	<b>Part Number</b>	<b>Description</b>	<b>Qty.</b>	<b>Notes</b>
1	90532987	Power Cable	1	
2	11177060	Lens flange screw	2	
3	90463746	Bracket	2	To stick on Item 12 with Loctite
4	90533266	Covering	1	
5	96126537	Battery Charger W/Cord	1	
6	90517665	Tension band	1	
7	90512575	Hose	1	
8	828062	Cable tie	9	
9	90156688	Cable tie	1	
10	97094304	Wire harness W6	1	
11	97094346	Wiring harness W8	1	
12	90533258	Cable Retainer	1	

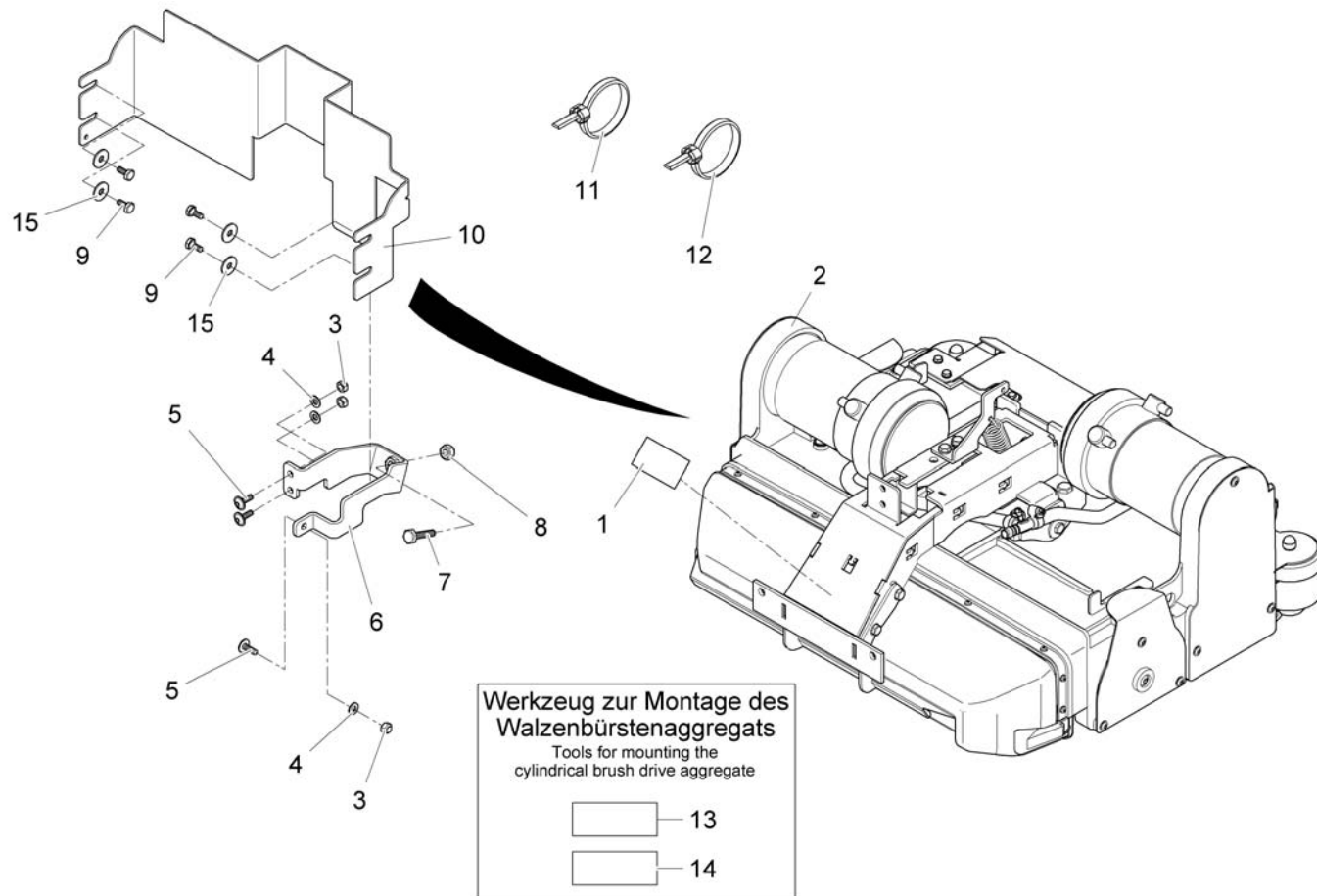




**Decals (Ref. 97099022PB)**

<b>Item</b>	<b>Part Number</b>	<b>Description</b>	<b>Qty.</b>	<b>Notes</b>
1	17267212	Decal Details	1	
2	715688	Phoenix Decal	2	
3	3334902	Powerboss Decal	1	

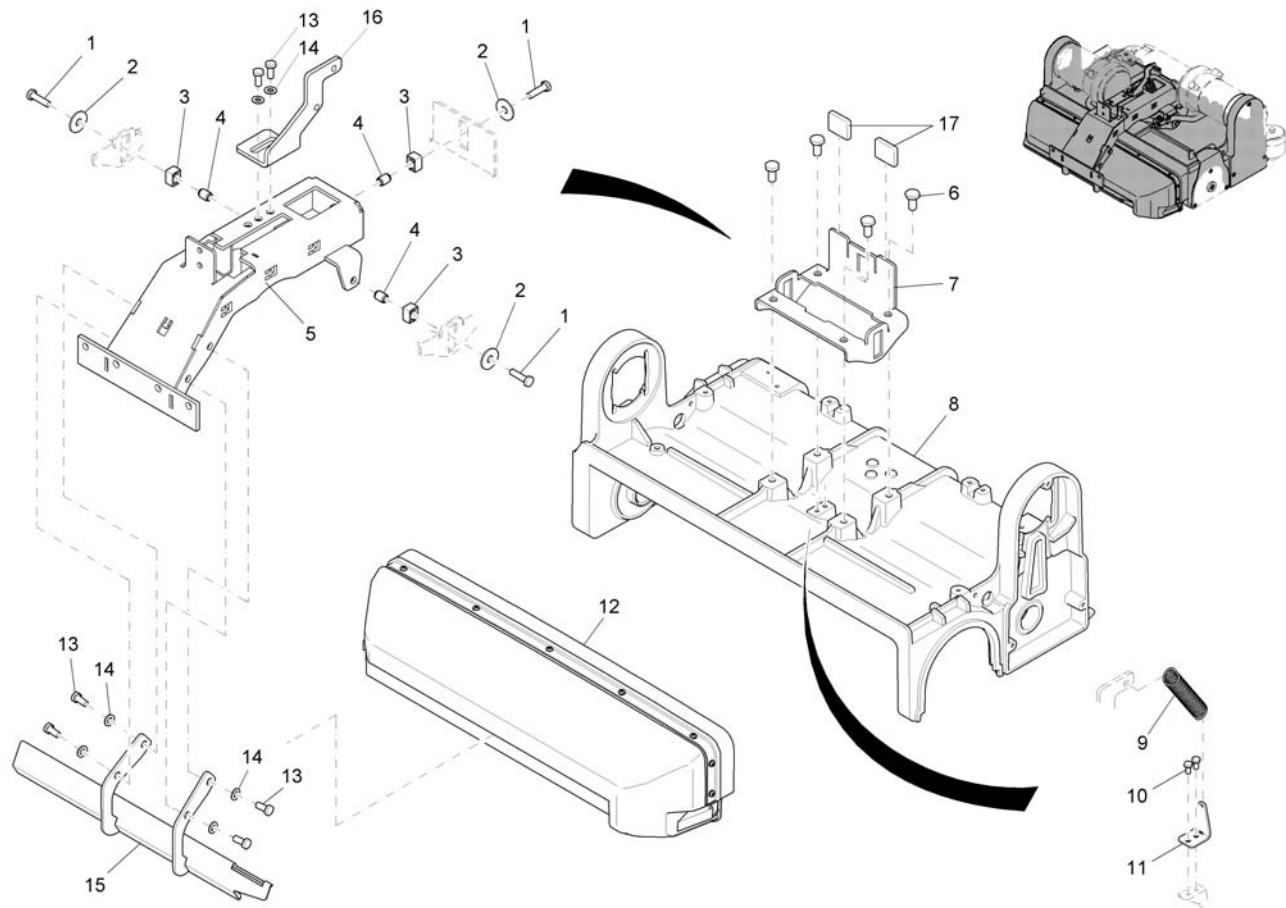
## Scrub Deck Assembly Cylindrical



Scrub Deck Assembly Cylindrical 60cm (Ref. 97099451)

Item	Part Number	Description	Qty.	Notes
1	17220013	Transparency	1	
2	For Reference	Cylindrical Brush Drive	1	Ref. 97099444
3	12040051	Hexagon Nut	2	
4	12310041	Washer	3	
5	11177136	Lens Flange Screw	3	
6	96115324	Retainer	1	
7	11038395	Hexagon Screw	1	
8	12040069	Hexagon Nut	1	
9	11038197	Hexagon Screw	4	
10	90532870	Sheet Metal	1	
11	828062	Cable Tie	6	
12	90156688	Cable Tie	4	
13	97097737	Wiring Harness to Error Reset	1	
14	97057103	Adjusting Kit	1	
15	12332029	Washer	4	

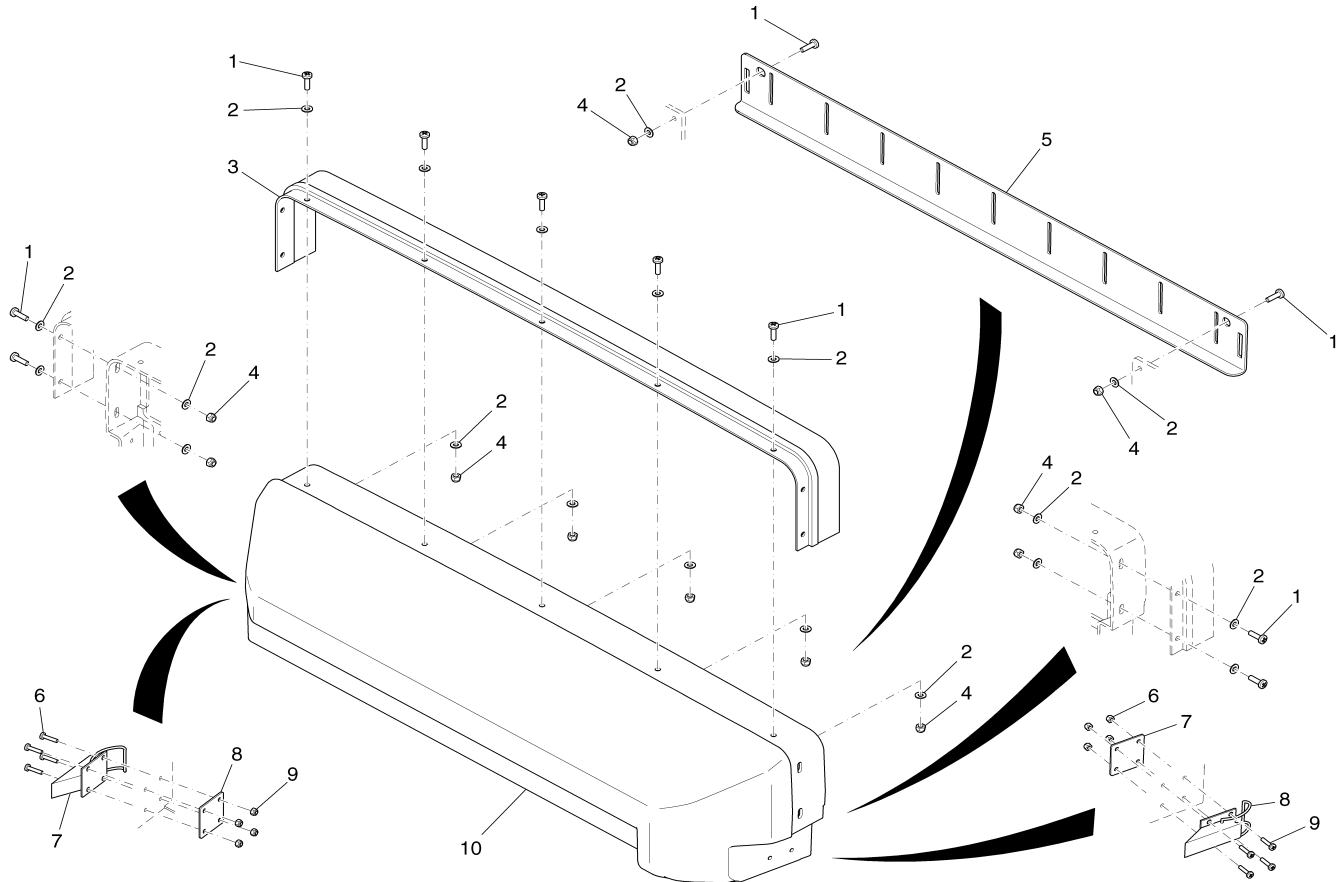
## Scrub Deck Assembly Cylindrical Part I



Scrub Deck Assembly Cylindrical (Ref. 97099444-1)

Item	Part Number	Description	Qty.	Notes
1	11038924	Hexagon Screw	3	
2	12332152	Washer	3	
3	90492851	Slide Block	3	
4	90492869	Bushing	3	
5	96112453	Rocker	1	
6	11039542	Hexagon Screw	4	
7	90532649	Retainer	1	
8	90475740	Housing	1	
9	90441577	Tension Spring	1	
10	11038742	Hexagon Screw	2	
11	90529777	Angle Bracket	1	
12	For Reference	Debris Hopper	1	Ref. 97087191
13	11038635	Hex.Bolt	6	
14	12310041	Washer	6	
15	96112297	Guide Bar	1	
16	90529595	Spring Holder	1	
17	90532862	Cap	2	

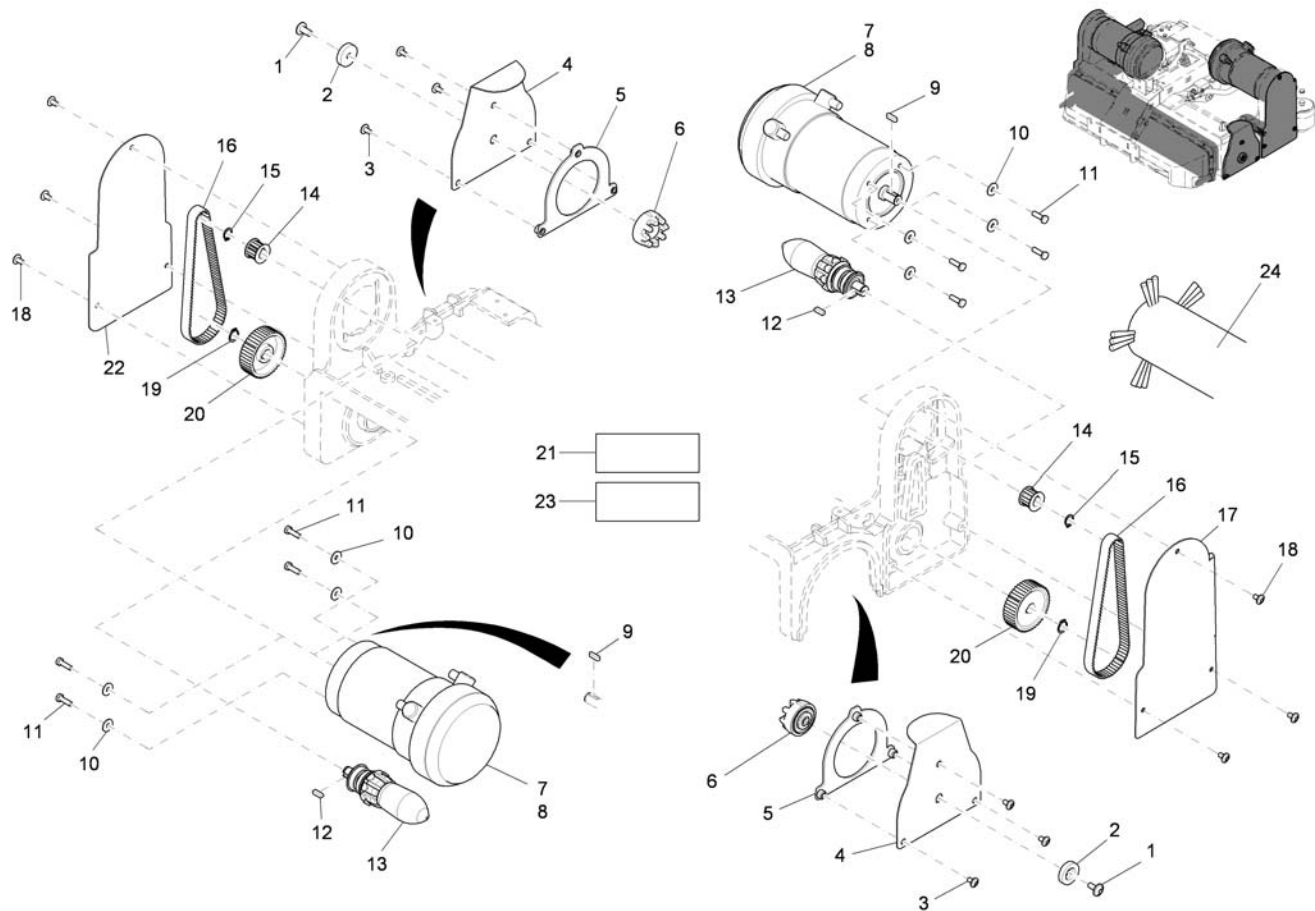
# Scrub Deck Assembly Cylindrical



**Debris Hopper Assembly (Ref. 97087191)**

<b>Item</b>	<b>Part Number</b>	<b>Description</b>	<b>Qty.</b>	<b>Notes</b>
1	11175445	Phillips Head Screw	11	
2	12310272	Washer	20	
3	90472374	Broom Rail	1	
4	12040234	Hexagon Nut	11	
5	90472366	Sheet Metal Apron	1	
6	12040374	Hex. Nut	8	
7	90435884	Plate	2	
8	17383191	Lock	2	
9	11175452	Phillips Head Screw	8	
10	96105275	Dirt Container	1	

## Scrub Deck Assembly Cylindrical Part II

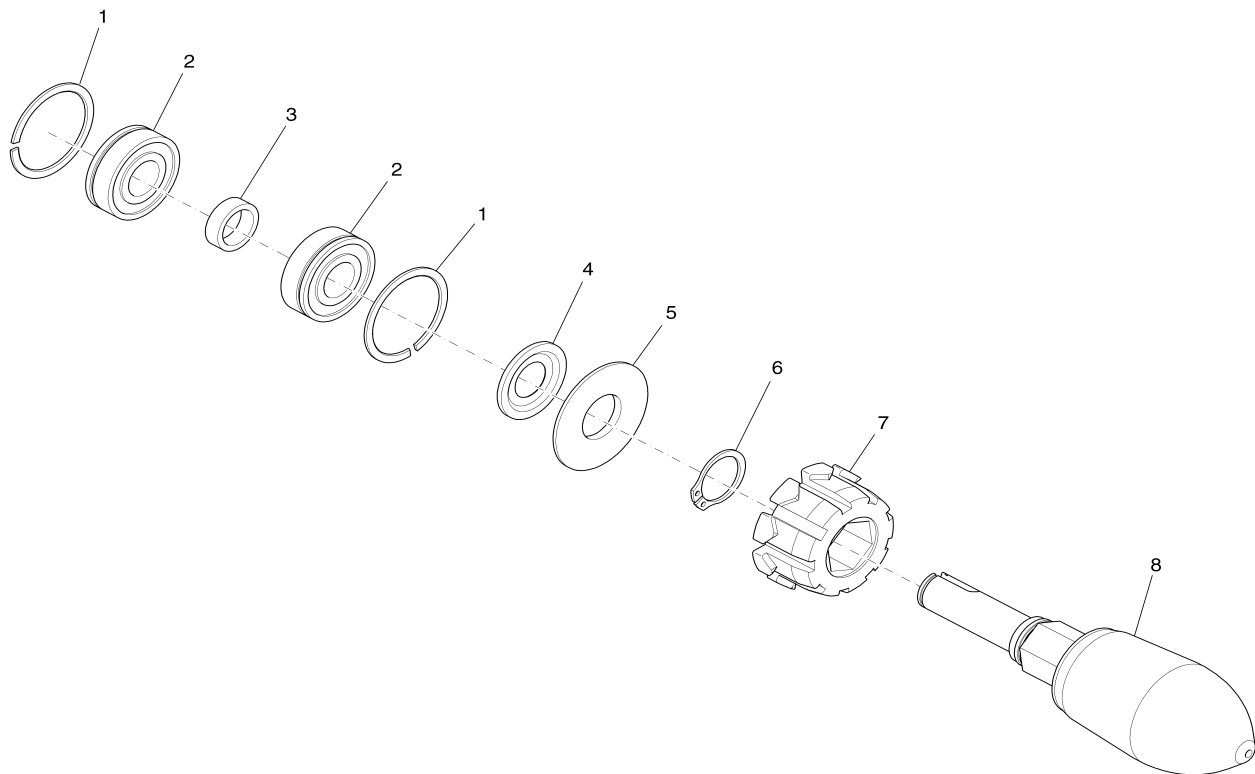




Scrub Deck Assembly Cylindrical (Ref. 97099444-2)

Item	Part Number	Description	Qty.	Note
1	11177187	Lens Flange Screw	2	
2	90464058	Washer	2	
3	11177179	Lens Flange Screw	6	
4	90454117	Side Cover	2	
5	96098264	Centering Bend	2	
6	96101985	Bearing	2	
7	90472390	Motor	2	
8	00553060	Carbon Brush Set (4pc.)	4	
9	13540208	Woodfuff key	2	
10	12332011	Washer	8	
11	11038098	Hexagon Screw	8	
12	13540549	Woodfuff key	2	
13	For Reference	Brush Drive Assembly	1	Ref. 97080014
14	90409210	Toothed Belt Pulley	2	
15	12610234	Retaining Ring	2	
16	16423055	Toothed Belt	2	
17	90532888	Sheet Metal R.H.	1	
18	11177179	Lens Flange Screw	6	
19	12610069	Retaining Ring	2	
20	90409244	Toothed Belt Pulley	2	
21	97098503	Wire Harness W13	1	
22	90463340	Sheet Metal L.H.	1	
23	97097786	Wiring Harness W14	1	
24	99702200	Brush Set Cyl	1	

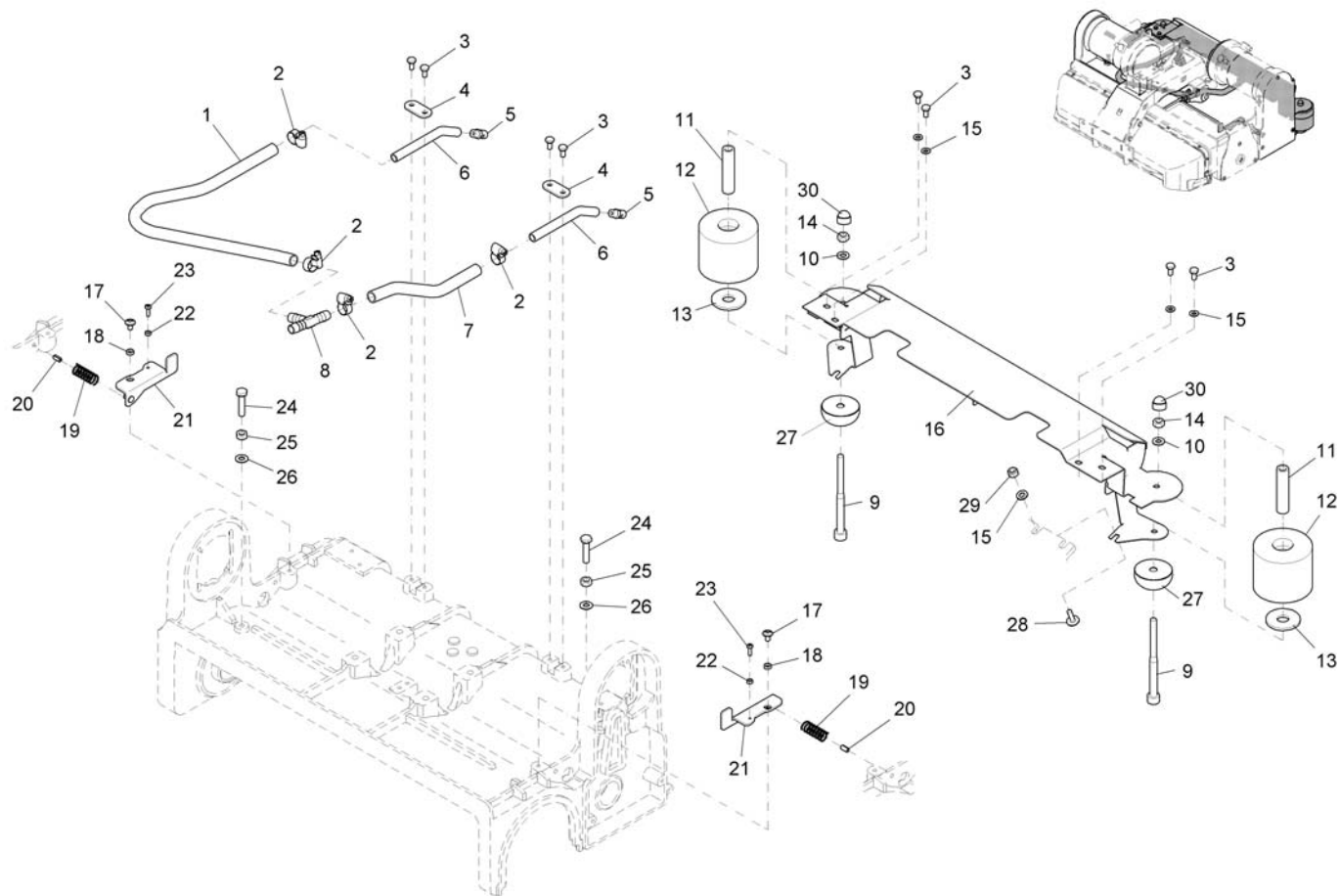
## Brush Drive Assembly Cylindrical



Cylindrical Brush Drive Assembly (Ref. 01072560)

Item	Part Number	Description	Qty.	Note
1	12561031	Circlip	2	
2	14110853	Grooved Ball Bearing	2	
3	90409665	Bushing	1	
4	14678064	Ring	1	
5	90436817	Bushing	1	
6	12610093	Retaining Ring	1	
7	90423666	Bushing	1	
8	90416777	Shaft Brush Drive	1	

# Scrub Deck Assembly Cylindrical Part III



## Scrub Deck Assembly Cylindrical Part III

### Scrub Deck Assembly (97099444-3)

Item	Part Number	Description	Qty.	Notes
1	25842097	Hose	520mm	
2	17533100	Hose Clamp	4	
3	11038742	Hexagon Screw	8	
4	90430885	Clamping Sheet Metal	2	
5	90429952	Jet	2	
6	90440884	Pipe	2	
7	25842097	Hose	240mm	
8	90310681	T-Piece	1	
9	11126505	Socket Head Screw	2	
10	12310041	Washer	4	
11	90519828	Pipe	2	
12	90315334	Roller	2	
13	12332045	Washer	2	
14	12040051	Hexagon nut	2	
15	12310256	Washer	6	
16	96117221	Cross Beam	1	
17	11177179	Lens Flange Screw	2	
18	90437450	Bushing	2	
19	90232372	Pressure Spring	2	
20	13050299	Dowel Pin	2	
21	96098611	Lever, cpl.	2	
22	12022570	Hex. Nut	2	
23	11175445	Phillips Head Screw	2	
24	11039500	Hex.Bolt	2	
25	12022455	Hexagon Nut	2	
26	12310264	Washer	2	
27	90533696	Stop	2	
28	11177011	Lens flnge screw	2	
29	12040044	Hexagon Nut	2	
30	15592033	Lens Cap	2	

### PowerBoss Incorporated Made Simple Commercial Limited Warranty

Revision F

Effective November 1, 2008

PowerBoss made Simple Industrial Limited Warranty

Minuteman International owner of PowerBoss warrants to the original purchaser/user that the product is free from defects in workmanship and materials under normal use. PowerBoss will, at its option, repair or replace without charge, parts that fail under normal use and service when operated and maintained in accordance with the applicable operation and instruction manuals. All warranty claims must be submitted through and approved by factory authorized repair stations.

This warranty does not apply to normal wear, or to items whose life is dependent on their use and care. Parts not manufactured by PowerBoss are covered by and subject to the warranties and/or guarantees of their manufacturers. Please contact Minuteman International for procedures in warranty claims against these manufacturers.

**Special warning to purchaser** — Use of replacement parts not manufactured by PowerBoss or its designated licensees, will void all warranties expressed or implied. A potential health hazard exists without original equipment replacement.

All warranted items become the sole property of Minuteman International or PowerBoss or its original manufacturer, whichever the case may be.

PowerBoss disclaims any implied warranty, including the warranty of merchantability and the warranty of fitness for a particular purpose. PowerBoss assumes no responsibility for any special, incidental or consequential damages.

This limited warranty is applicable only in the U.S.A. and Canada, and is extended only to the original user/purchaser of this product. Customers outside the U.S.A. and Canada should contact their local distributor for export warranty policies. PowerBoss is not responsible for costs or repairs performed by persons other than those specifically authorized by PowerBoss. This warranty does not apply to damage from transportation, alterations by unauthorized persons, misuse or abuse of the equipment, use of non-compatible chemicals, or damage to property, or loss of income due to malfunctions of the product. If a difficulty develops with this machine, you should contact the dealer from whom it was purchased.

This warranty gives you specific legal rights, and you may have other rights, which vary from state to state. Some states do not allow the exclusion or limitation of special, incidental or consequential damages, or limitations on how long an implied warranty lasts, so the above exclusions and limitations may not apply to you.

## Warranty Information

	Travel*	Labor	Parts	Engine	Extended Warranty	Costs
<b>Walk behinds</b>						
Battery sweepers	Ninety days	One year	One year	N/A	2 years Parts + Labor (or 2000 Hburs)	2%
IC sweepers	Ninety days	One year	One year	Through manufacturer	2 years Parts + Labor (or 2000 Hburs)	2%
Battery scrubbers	Ninety days	Two years	Three years	N/A	3 Years Parts + Labor (or 3000 Hburs)	2%
<b>Riders</b>						
Battery scrubbers	Ninety days	Two years	Three years/2000 hrs	N/A	3 Years Parts + Labor (or 3000 Hburs)	2%
IC sweeper/scrubbers	Ninety days	Six months	Two years/2000 hrs	Two years/3000 hrs**	2 years Parts + Labor (or 2000 Hburs)	3%
IC sweepers	Ninety days	Six months	Four years/3000 hrs	Five years/3000 hrs**	4 Years Parts + 2 Years Labor (or 4000 Hburs)	3%
<b>Exceptions</b>						
Apex series sweeper	Ninety days	One year	One year/1000 hrs	One year/1000 hrs**	2 years Parts + Labor (or 2000 Hburs)	3%
6X sweeper	Ninety days	Six months	Two years/2000 hrs	Two years/2000 hours**	2 years Parts + Labor (or 2000 Hburs)	3%

**Tank Bladders**

Eight years/ no additional labor

**Polypropylene plastic tanks**

Ten years/ no additional labor

**Batteries**

0-3 months full replacement, 4-12 prorated credit

**Chargers**

One-year replacement

**Replacement parts**

Ninety days

**\*Two-hour cap**

**\*\*Through engine manufacturer. See section 3 of warranty manual for engine warranty exceptions**

**\*\*\* Based upon dealer's certification status**

**Extended Warranty MUST be signed up within 30 days of delivery to End User (Dealer has 1 Year from Receiving Machine to Sign up extended Warranty)**

**Extended Warranty Cost is based on Invoice Price multiplied by the Percentage listed in the Extended Warranty Column**

## EC-Declaration Of Conformity (According To Directive 89/392/EEC)

**PowerBoss, Inc.**  
175 Anderson Street  
Aberdeen, North Carolina 28315

Declare under our sole responsibility,  
that the product

**Pheonix 24**  
**Type 7090**

To which this declaration relates corresponds to the relevant basic safety and health requirements of the Directive 89/392/EEC, and to the requirements of the other relevant Directives:

89/336/EEC.

For the relevant implementation of the safety and health requirements mentioned in the Directives, the following standard(s) and / or technical specification(s) has (have) been respected:

**EN 292**  
**EN 60335-2-72**  
**EN 55081-1**  
**EN 50082-1**

**PowerBoss Is A Full Line Manufacturer Of Sweepers and Scrubbers For Industrial Facilities.**

**A Member Of The Hako Group**





***PowerBoss***<sup>®</sup>



***“The Power of Clean”***

PowerBoss, Inc 175 Anderson Street P.O. Box 1227- Aberdeen North Carolina 28315

Phone: 800-982-7141 - Fax: 1-800-277-7141 Local: 910-944-2105 Fax: 910-944-7409 e-mail: [techsupport@powerboss.com](mailto:techsupport@powerboss.com)